

R2E250-AS47-26

AC centrifugal fan

backward curved, single inlet

ebm-papst Mulfingen GmbH & Co. KG

Bachmühle 2 · D-74673 Mulfingen

Phone +49 7938 81-0

Fax +49 7938 81-110

info1@de.ebmpapst.com

www.ebmpapst.com

Limited partnership · Headquarters Mulfingen

County court Stuttgart · HRA 590344

General partner Elektrobau Mulfingen GmbH · Headquarters Mulfingen

County court Stuttgart · HRB 590142

Nominal data

Type	R2E250-AS47-26		
Motor	M2E068-EC		
Phase		1~	1~
Nominal voltage	VAC	230	230
Frequency	Hz	50	60
Type of data definition		fa	fa
Valid for approval / standard		-	-
Speed	min ⁻¹	2600	2700
Power input	W	155	215
Current draw	A	0.70	0.95
Motor capacitor	µF	5	5
Capacitor voltage	VDB	400	400
Capacitor standard		P2 (CE)	P2 (CE)
Min. back pressure	Pa	0	0
Min. ambient temperature	°C	-25	-25
Max. ambient temperature	°C	40	40
Starting current	A	1.3	1.3

ml = Max. load · me = Max. efficiency · fa = Running at free air · cs = Customer specs · cu = Customer unit
Subject to alterations



R2E250-AS47-26

AC centrifugal fan

backward curved, single inlet

Technical features

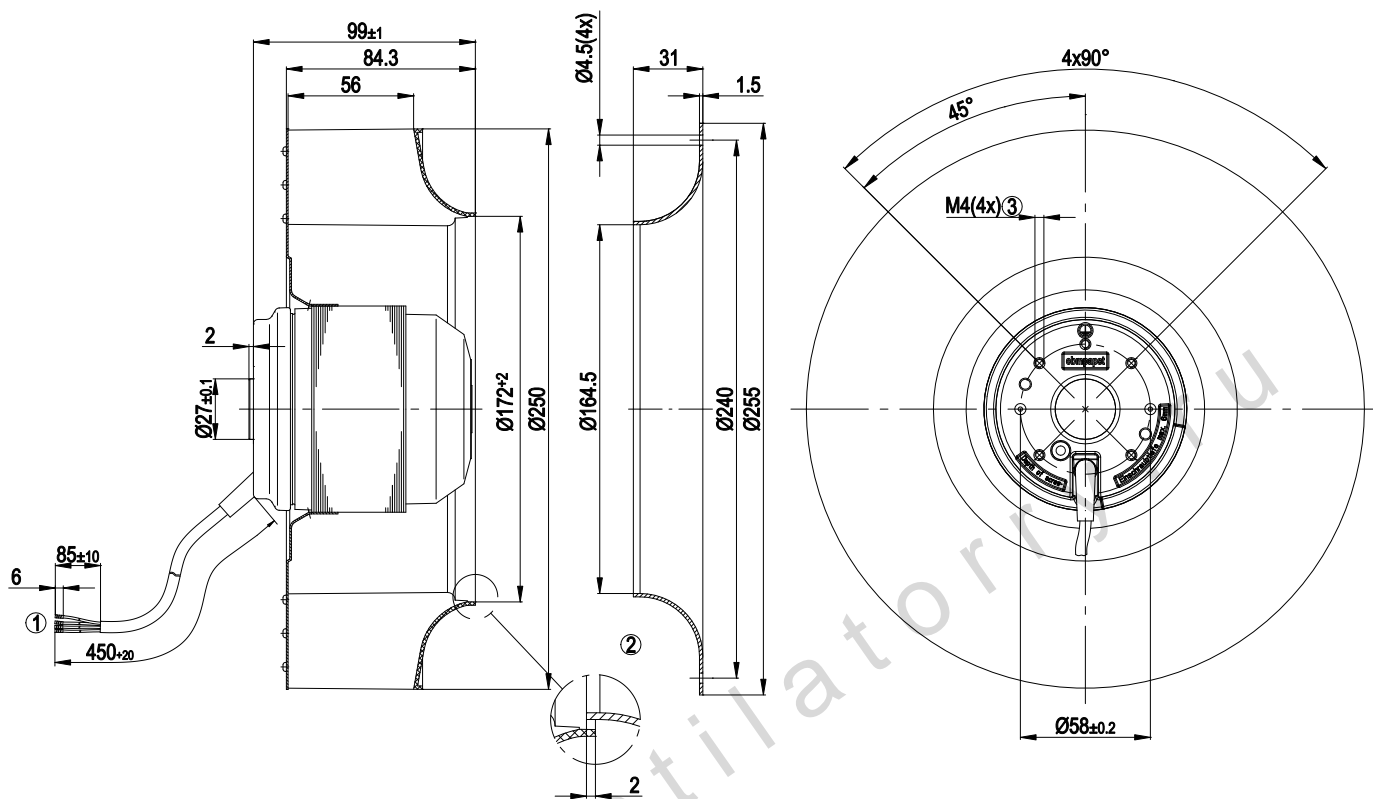
Mass	2.94 kg
Size	250 mm
Surface of rotor	Coated in black
Material of impeller	PA plastic, black
Number of blades	11
Direction of rotation	Clockwise, seen on rotor
Type of protection	IP 44; Depending on installation and position as per EN 60034-5
Insulation class	"F"
Humidity class	F1-2
Max. permissible ambient motor temp. (transp./ storage)	+ 80 °C
Min. permissible ambient motor temp. (transp./storage)	- 40 °C
Mounting position	Shaft horizontal or rotor on bottom; rotor on top on request
Condensate discharge holes	Rotor-side
Operation mode	S1
Motor bearing	Ball bearing
Touch current acc. IEC 60990 (measuring network Fig. 4, TN system)	< 0.75 mA
Motor protection	Thermal overload protector (TOP) wired internally
Cable exit	Variable
Protection class	I (if protective earth is connected by customer)
Product conforming to standard	EN 60335-1
Approval	CCC; GOST

R2E250-AS47-26

AC centrifugal fan

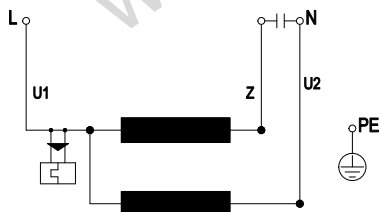
backward curved, single inlet

Product drawing



1	Connection line silicone 4Gx0.5mm ² . 4x brass lead tips crimped
2	Accessory part: Inlet nozzle 96359-2-4013, not included in the standard scope of delivery
3	Depth of screw max. 5 mm

Connection screen



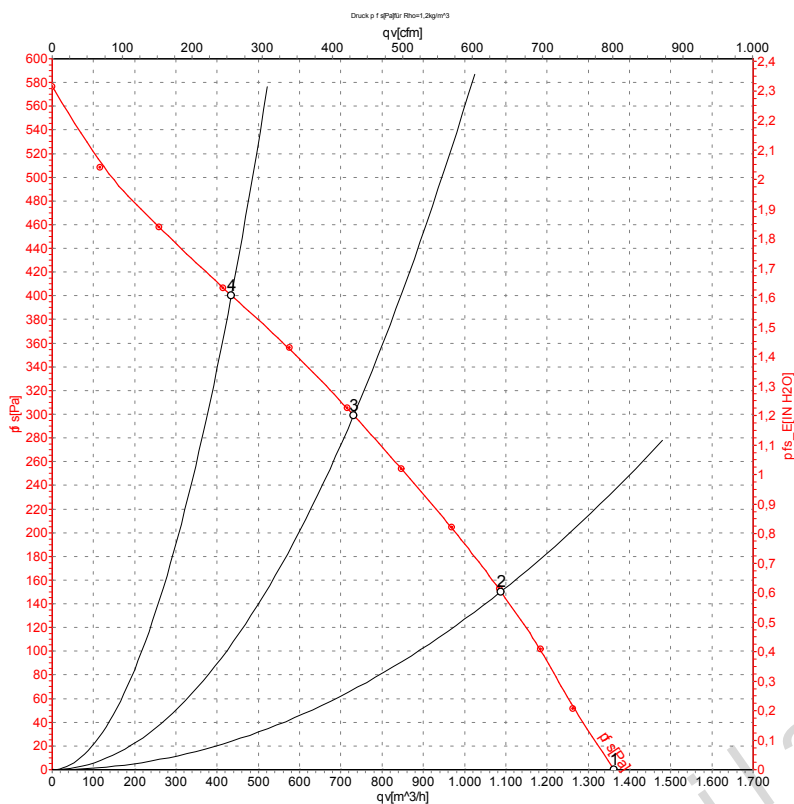
U1	blue	Z	brown	U2	black
PE	green/yellow				

R2E250-AS47-26

AC centrifugal fan

backward curved, single inlet

Charts: Air flow 50 Hz



Measurement: LU-30851

Air performance measured as per ISO 5801 Installation category A. For detailed information on the measuring set-up, please contact ebm-papst. Suction-side noise levels: LwA measured as per ISO 13347 / LpA measured with 1m distance to fan axis. The values given are valid under the measuring conditions mentioned above and may vary according to the actual installation situation. With any deviation from the standard set-up, the specific values have to be checked and reviewed with the unit installed.

Measured values

	U	f	n	P _e	I	qv	P _{fs}
	V	Hz	min ⁻¹	W	A	m ³ /h	Pa
1	230	50	2600	155	0.70	1365	0
2	230	50	2460	172	0.75	1090	150
3	230	50	2370	189	0.82	730	300
4	230	50	2430	177	0.77	435	400

U = Supply voltage · f = Frequency · n = Speed · P_e = Power input · I = Current draw · qv = Air flow · P_{fs} = Pressure increase

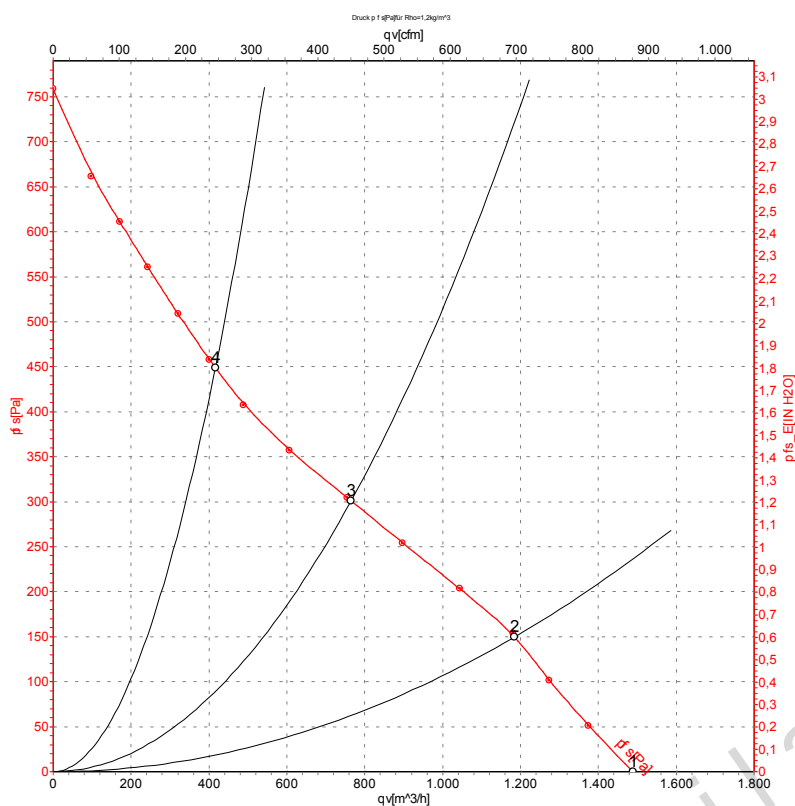


R2E250-AS47-26

AC centrifugal fan

backward curved, single inlet

Charts: Air flow 60 Hz



Measurement: LU-30852

Air performance measured as per ISO 5801 Installation category A. For detailed information on the measuring set-up, please contact ebm-papst. Suction-side noise levels: LwA measured as per ISO 13347 / LpA measured with 1m distance to fan axis. The values given are valid under the measuring conditions mentioned above and may vary according to the actual installation situation. With any deviation from the standard set-up, the specific values have to be checked and reviewed with the unit installed.

Measured values

	U	f	n	P _e	I	qv	P _{fs}
	V	Hz	min ⁻¹	W	A	m ³ /h	Pa
1	230	60	2795	215	0.95	1490	0
2	230	60	2610	228	0.99	1185	150
3	230	60	2415	240	1.04	765	300
4	230	60	2560	231	1.00	415	450

U = Supply voltage · f = Frequency · n = Speed · P_e = Power input · I = Current draw · qv = Air flow · P_{fs} = Pressure increase

