

D4E133-AH01-55

AC centrifugal fan

forward curved, dual inlet
with housing (without flange)

ebm-papst Mulfingen GmbH & Co. KG

Bachmühle 2
D-74673 Mulfingen
Phone: +49(0)7938/81-0
Fax: +49(0)7938/81-110
info1@de.ebmpapst.com
www.ebmpapst.com

Nominal data

Type	D4E133-AH01-55	
Motor	M4E068-BF	
Phase		1~
Nominal voltage	[V]	230
Frequency	[Hz]	60
Type of data definition		rfa
Valid for approval / standard		CE
Speed	[min ⁻¹]	1240
Power input	[W]	80
Current draw	[A]	0.35
Motor capacitor	[µF]	2
Capacitor voltage	[VDB]	400
Capacitor standard		P0 (CE)
Min. back pressure	[Pa]	0
Max. ambient temperature	[°C]	40

ml = max. load · me = max. efficiency · rfa = running at free air · cs = customer specs · cu = customer unit
Subject to alterations



D4E133-AH01-55

AC centrifugal fan

forward curved, dual inlet
with housing (without flange)

Technical features

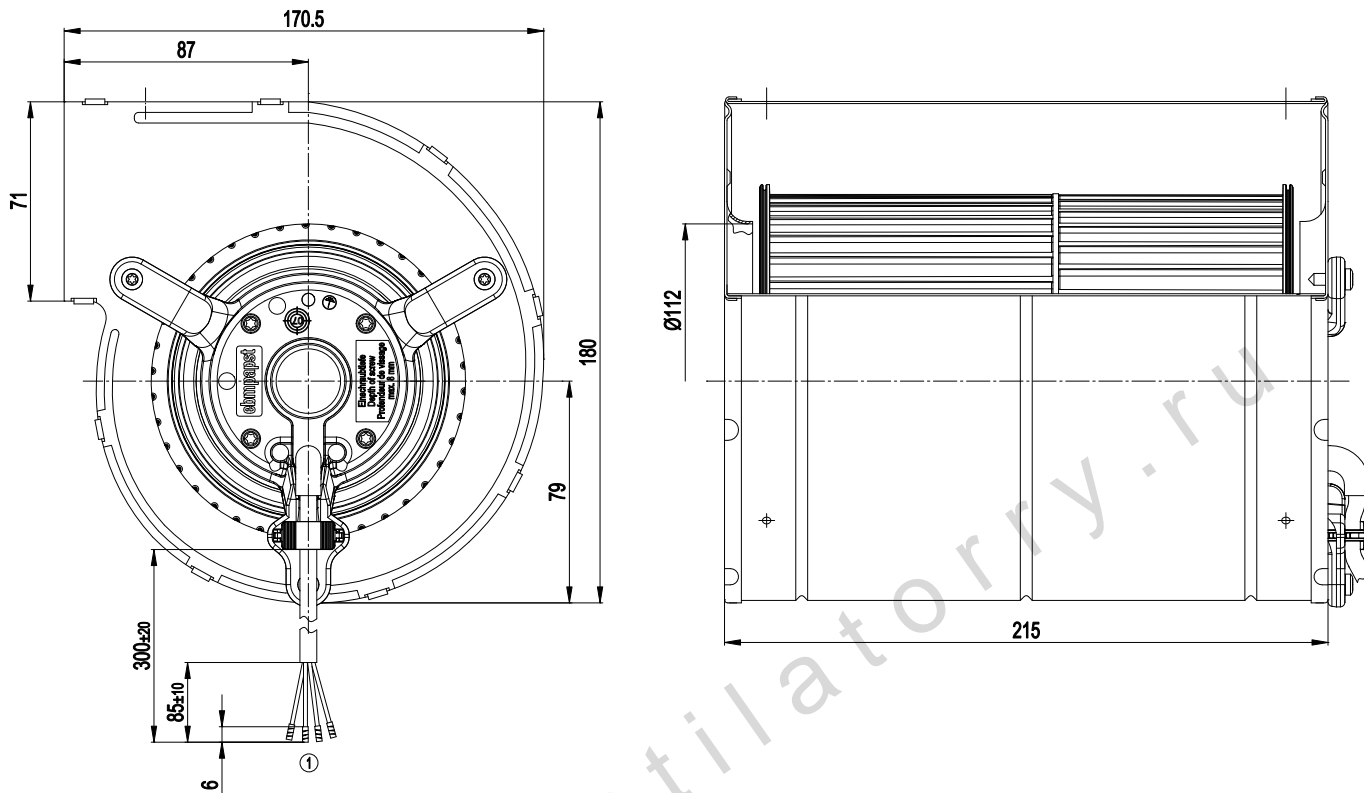
Leakage current	< 0.75 mA
General description	Without flange
Size	133 mm
Operation mode	S1
Direction of rotation	Clockwise, seen on rotor
Mounting position	Any
Humidity class	F0
Insulation class	"B"
Condensate discharge holes	None
Bearing motor	Ball bearing
Mass	2.3 kg
Housing material	Sheet steel, hot-galvanised
Material of impeller	Plastic PA6, fibreglass-reinforced
Motor suspension	Motor mounted via brackets on one side
Motor protection	Thermal overload protector (TOP) wired internally
Product conforming to standard	CE; EN 60335-1
Surface of rotor	Partially cast in aluminium
Type of protection	IP 44; Depending on installation and position
Protection class	I
Max. permissible ambient motor temp. (transp./ storage)	+ 80 °C
Min. permissible ambient motor temp. (transp./storage)	- 40 °C
Approval	CCC

D4E133-AH01-55

AC centrifugal fan

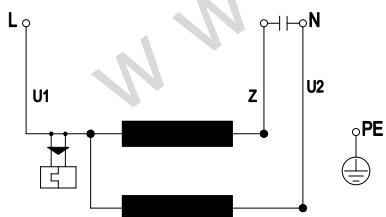
forward curved, dual inlet
with housing (without flange)

Product drawing



1 Connection line PVC 4G 0.5 mm², 4x brass lead tips crimped

Connection screen



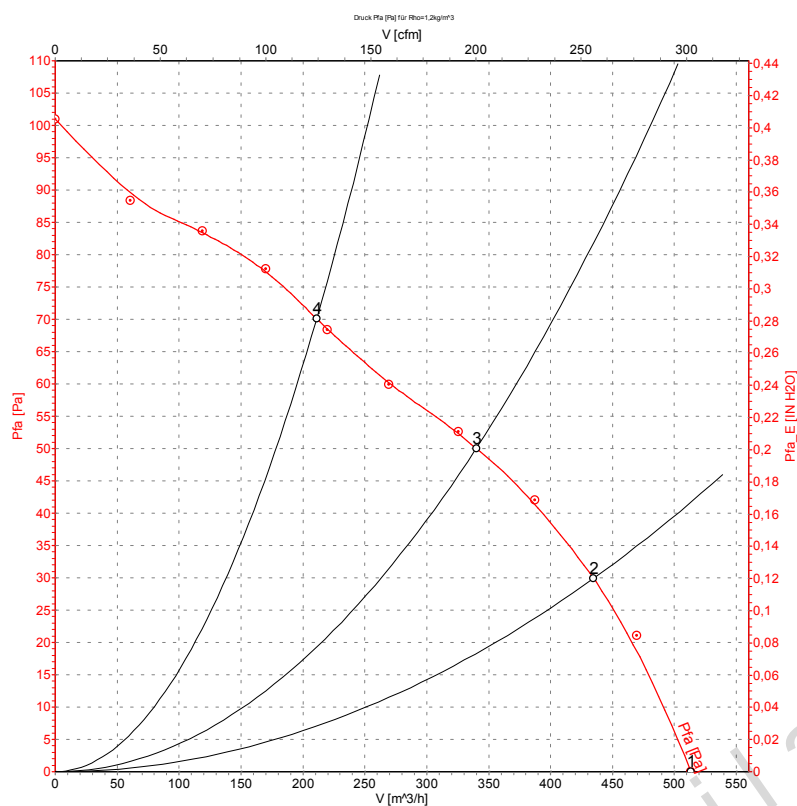
U1	blue	Z	brown	U2	black
PE	green/yellow				

D4E133-AH01-55

AC centrifugal fan

forward curved, dual inlet
with housing (without flange)

Charts: Air flow 50 Hz



Measurement: LU-59820

Measured values

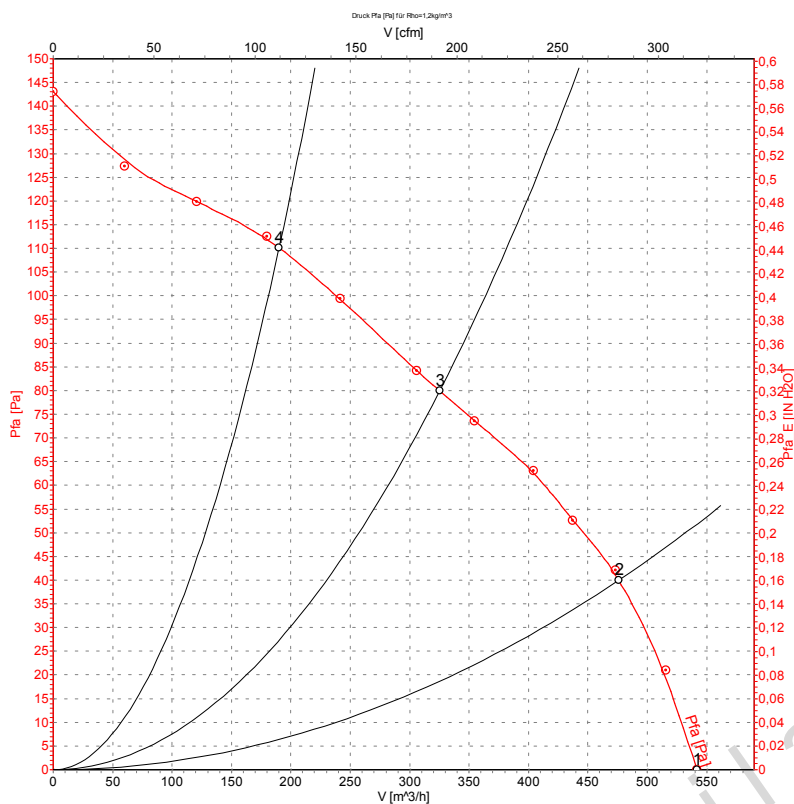
	U	f	n	P ₁	I	Ṃ	P _{fa}
	[V]	[Hz]	[min ⁻¹]	[W]	[A]	[m ³ /h]	[Pa]
1	230	50	1180	70	0.32	515	0
2	230	50	1245	66	0.29	435	30
3	230	50	1310	64	0.28	340	50
4	230	50	1375	63	0.28	210	70

D4E133-AH01-55

AC centrifugal fan

forward curved, dual inlet
with housing (without flange)

Charts: Air flow 60 Hz



Measurement: LU-59821

Measured values

	U	f	n	P ₁	I	Ŵ	P _{fa}
	[V]	[Hz]	[min ⁻¹]	[W]	[A]	[m ³ /h]	[Pa]
1	230	60	1240	80	0.35	540	0
2	230	60	1385	77	0.34	475	40
3	230	60	1555	72	0.31	325	80
4	230	60	1650	69	0.30	190	110