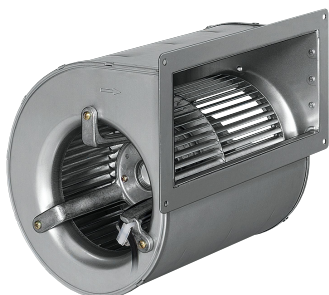


D2E146-AP47-02

AC centrifugal fan

forward curved, dual inlet
with housing (without flange)



Nominal data

Type	D2E146-AP47-02		
Motor	M2E068-EC		
Phase		1~	1~
Nominal voltage	[V]	230	230
Frequency	[Hz]	50	60
Type of data definition		ml	ml
Valid for approval / standard		CE	CE
Speed	[min ⁻¹]	2050	2550
Power input	[W]	300	330
Current draw	[A]	1,31	1.45
Motor capacitor	[µF]	8	8
Capacitor voltage	[VDB]	400	400
Min. back pressure	[Pa]	200	400
Max. ambient temperature	[°C]	30	25
Air flow	[m ³ /h]	970	690
Back pressure	[Pa]	200	400
Sound pressure level	[dB(A)]	63	68

ml = max. load · me = max. efficiency · rfa = running at free air · cs = customer specs · cu = customer unit
Subject to alterations

D2E146-AP47-02

AC centrifugal fan

forward curved, dual inlet
with housing (without flange)

Technical features

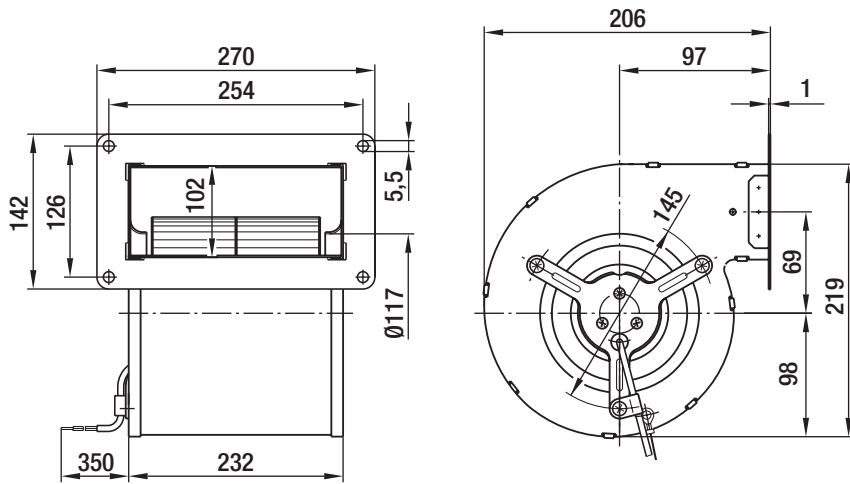
Leakage current	< 0,75 mA
Size	146 mm
Operation mode	S1
Direction of rotation	Counter-clockwise, seen on rotor
Mounting position	Any
Insulation class	"B"
Cable exit	Axial
Condensate discharge holes	None
Bearing motor	Ball bearing
Mass	4.2 kg
Housing material	Sheet steel, hot-galvanised
Material of impeller	Sheet steel, hot-galvanised
Motor protection	Thermal overload protector (TOP) wired internally
Product conforming to standard	CE; EN 60335-1
Surface of rotor	Partially cast in aluminium
Type of protection	IP 44 - depending on position
Protection class	I
Max. permissible ambient motor temp. (transp./ storage)	+ 80 °C
Min. permissible ambient motor temp. (transp./storage)	- 40 °C
Approval	CCC

D2E146-AP47-02

AC centrifugal fan

forward curved, dual inlet
with housing (without flange)

Product drawing



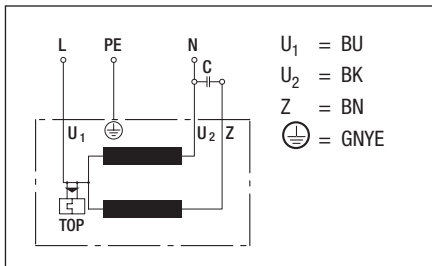
www.ventilatorry.ru

D2E146-AP47-02

AC centrifugal fan

forward curved, dual inlet
with housing (without flange)

Connection screen



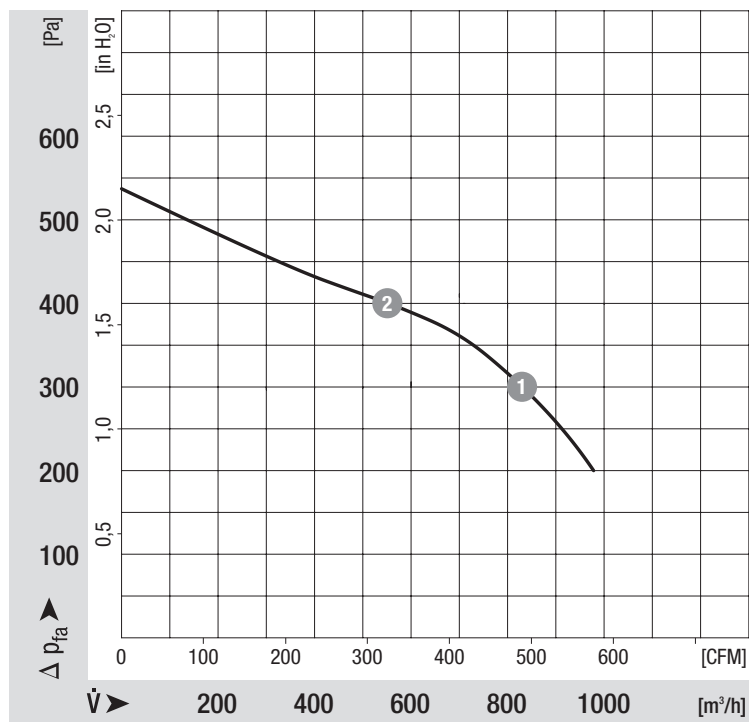
www.ventilatorry.ru

D2E146-AP47-02

AC centrifugal fan

forward curved, dual inlet
with housing (without flange)

Charts: Air flow 50 Hz



Measured values

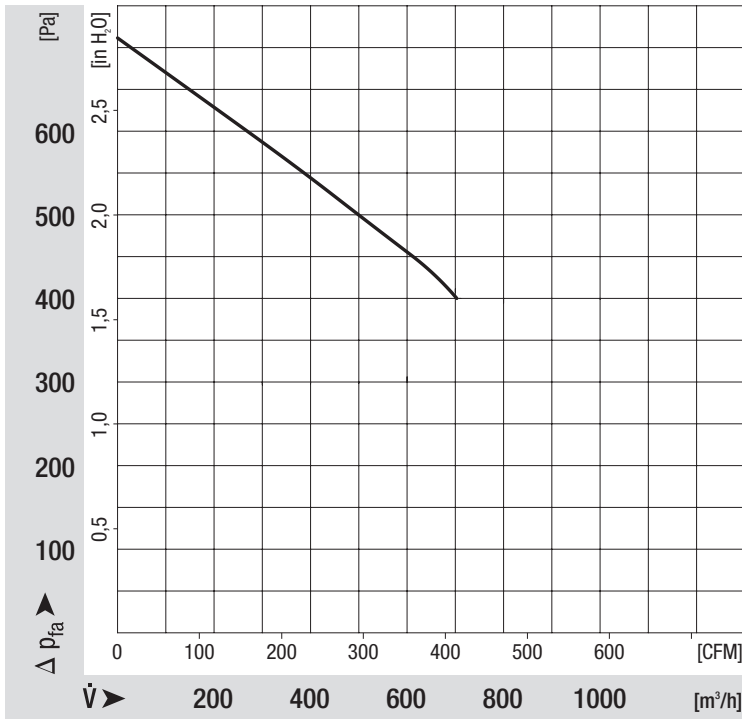
	n	P ₁	I
	[min ⁻¹]	[W]	[A]
1	2300	262	1.15
2	2600	206	0.91

D2E146-AP47-02

AC centrifugal fan

forward curved, dual inlet
with housing (without flange)

Charts: Air flow 60 Hz



www.ventilatorry.ru