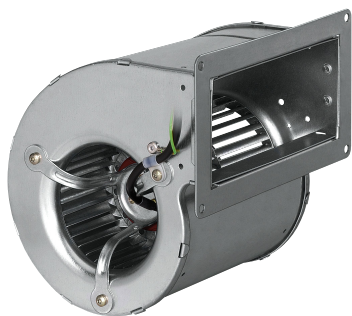


D2E097-CH85-48

AC centrifugal fan with housing (small flange)

forward curved, dual inlet



Nominal data

Type	D2E097-CH85-48		
Motor	M2E052-BF		
Phase		1~	1~
Nominal voltage	[V]	230	230
Frequency	[Hz]	50	60
Type of data definition		rfa	rfa
Valid for approval / standard		CE	CE
Speed	[min ⁻¹]	1550	1450
Power input	[W]	28	32
Current draw	[A]	0,13	0.15
Motor capacitor	[µF]	1	1
Capacitor voltage	[VDB]	400	400
Capacitor standard		P0 (CE)	P0 (CE)
Min. back pressure	[Pa]	0	0
Max. ambient temperature	[°C]	85	80
Air flow	[m ³ /h]	180	170
Back pressure	[Pa]	0	0
Sound pressure level	[dB(A)]	46	44

ml = max. load · me = max. efficiency · rfa = running at free air · cs = customer specs · cu = customer unit
Subject to alterations

D2E097-CH85-48

AC centrifugal fan with housing (small flange)

forward curved, dual inlet

Technical features

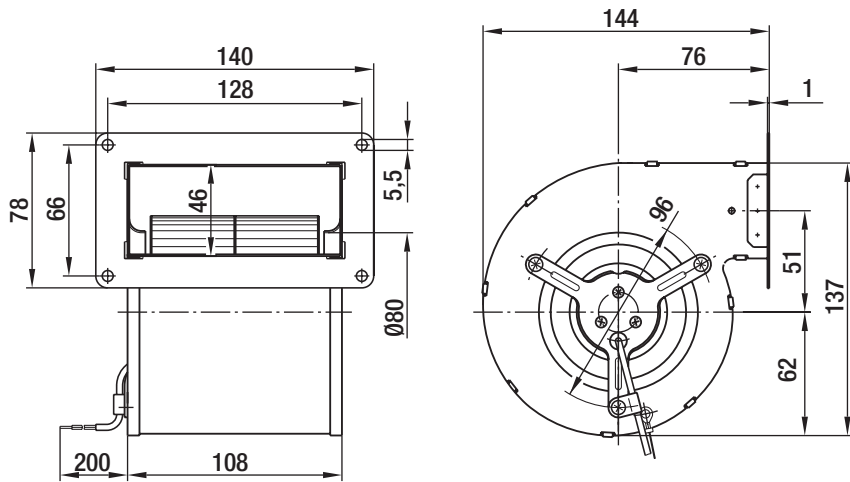
General description	With flange
Size	97 mm
Operation mode	S1
Direction of rotation	Counter-clockwise, seen on rotor
Insulation class	"B"
Bearing motor	Ball bearing
Mass	1.5 kg
Housing material	Senzimir galvanized sheet steel
Material of impeller	Senzimir galvanized sheet steel
Motor protection	Thermal overload protector (TOP) wired internally
Product conforming to standard	CE
Type of protection	IP 20
Protection class	I

www.ventilatorry.ru

D2E097-CH85-48

AC centrifugal fan with housing (small flange)
forward curved, dual inlet

Product drawing

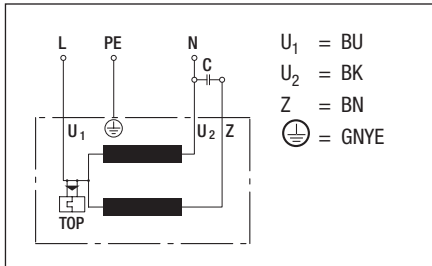


www.ventilatorry.ru

D2E097-CH85-48

AC centrifugal fan with housing (small flange)
forward curved, dual inlet

Connection screen



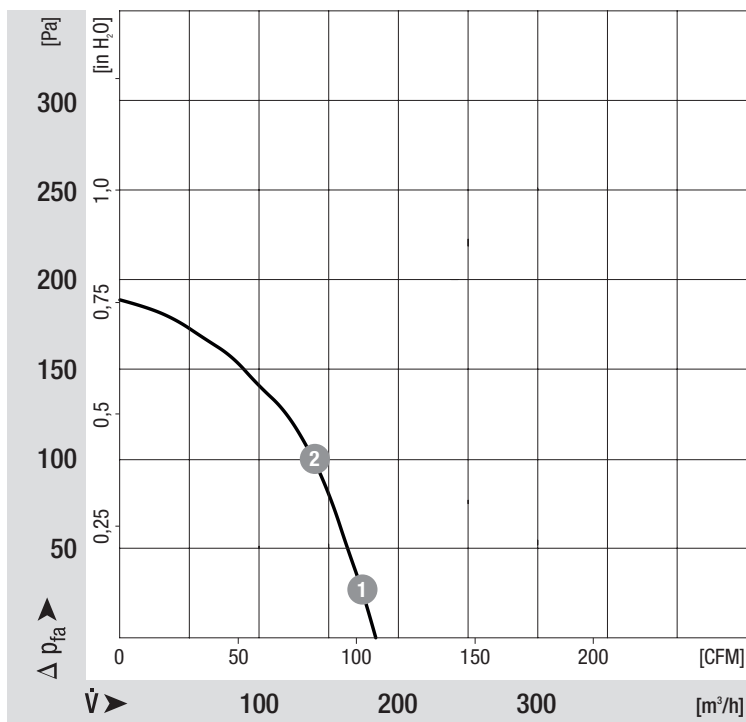
www.ventilatorry.ru

D2E097-CH85-48

AC centrifugal fan with housing (small flange)

forward curved, dual inlet

Charts: Air flow 50 Hz



Measured values

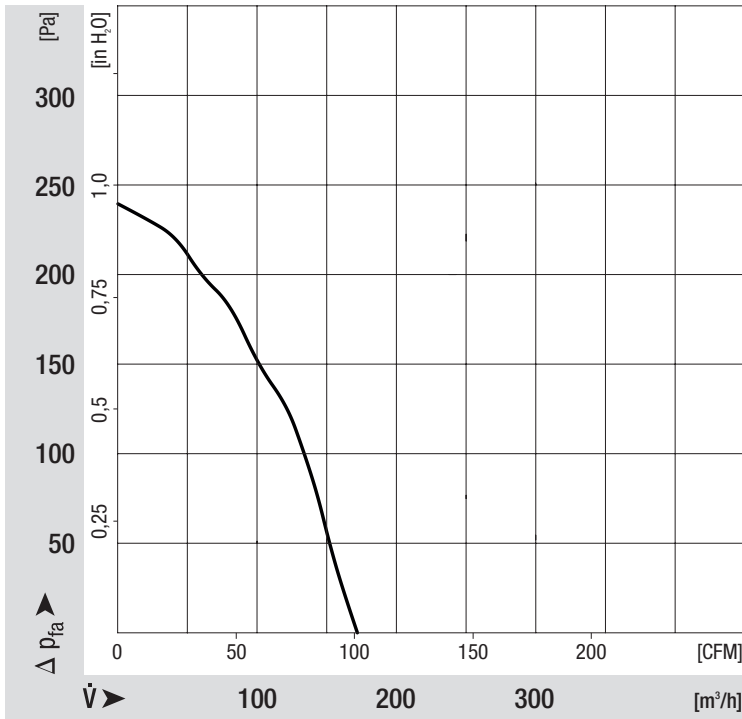
	n	P ₁	I
	[min ⁻¹]	[W]	[A]
1	1670	27	0.13
2	2080	25	0.12

www.ventilatorry.ru

D2E097-CH85-48

AC centrifugal fan with housing (small flange)
forward curved, dual inlet

Charts: Air flow 60 Hz



www.ventilatorry.ru