

A3G630-AR85-01

# EC axial fan - HyBlade®

sickled blades (S series)

## ebm-papst Mulfingen GmbH & Co. KG

Bachmühle 2 · D-74673 Mulfingen

Phone +49 7938 81-0

Fax +49 7938 81-110

info1@de.ebmpapst.com

www.ebmpapst.com

Limited partnership · Headquarters Mulfingen

County court Stuttgart · HRA 590344

General partner Elektrobau Mulfingen GmbH · Headquarters Mulfingen

County court Stuttgart · HRB 590142



### Nominal data

Type	A3G630-AR85-01	
Motor	M3G112-IA	
Phase		3~
Nominal voltage	VAC	400
Nominal voltage range	VAC	380 .. 480
Frequency	Hz	50/60
Type of data definition		ml
Speed	min <sup>-1</sup>	1140
Power input	W	970
Current draw	A	1.6
Max. back pressure	Pa	170
Min. ambient temperature	°C	-25
Max. ambient temperature	°C	60

ml = Max. load · me = Max. efficiency · fa = Running at free air · cs = Customer specs · cu = Customer unit  
Subject to alterations

### Data according to ErP directive

Installation category	A
Efficiency category	Static
Variable speed drive	Yes
Specific ratio*	1.00

\* Specific ratio =  $1 + p_b / 100\,000\text{ Pa}$

		Actual	Request 2013	Request 2015
Overall efficiency $\eta_{es}$	%	45.1	29.6	33.6
Efficiency grade N		51.5	36	40
Power input $P_{ed}$	kW	0.97		
Air flow $q_v$	m <sup>3</sup> /h	8935		
Pressure increase $p_{fs}$	Pa	163		
Speed n	min <sup>-1</sup>	1155		

Data definition with optimum efficiency. LU-115687  
The ErP data is determined using a motor-impeller combination in a standardised measurement configuration.



A3G630-AR85-01

# EC axial fan - HyBlade®

sickled blades (S series)

## Technical features

<b>Mass</b>	11.4 kg
<b>Size</b>	630 mm
<b>Surface of rotor</b>	Coated in black
<b>Material of electronics housing</b>	Die-cast aluminium
<b>Material of blades</b>	Press-fitted sheet steel blank, sprayed with PP plastic
<b>Number of blades</b>	5
<b>Direction of air flow</b>	"V"
<b>Direction of rotation</b>	Counter-clockwise, seen on rotor
<b>Type of protection</b>	IP 54
<b>Insulation class</b>	"B"
<b>Humidity class</b>	F4-1
<b>Max. permissible ambient motor temp. (transp./ storage)</b>	80 °C
<b>Min. permissible ambient motor temp. (transp./storage)</b>	-40 °C
<b>Mounting position</b>	Shaft horizontal or rotor on bottom; rotor on top on request
<b>Condensate discharge holes</b>	Rotor-side
<b>Operation mode</b>	S1
<b>Motor bearing</b>	Ball bearing
<b>Technical features</b>	<ul style="list-style-type: none"> <li>- Output 10 VDC, max. 10 mA</li> <li>- Alarm relay</li> <li>- Integrated PID controller</li> <li>- Motor current limit</li> <li>- PFC, passive</li> <li>- Soft start</li> <li>- Control input 0-10 VDC / PWM</li> <li>- Control interface with SELV potential safely disconnected from the mains</li> <li>- Over-temperature protected electronics / motor</li> <li>- Line undervoltage / phase failure detection</li> </ul>
<b>EMC interference immunity</b>	Acc. to EN 61000-6-2 (industrial environment)
<b>EMC harmonics</b>	Acc. to EN 61000-3-2/3
<b>EMC interference emission</b>	Acc. to EN 61000-6-4 (industrial environment)
<b>Touch current acc. IEC 60990 (measuring network Fig. 4, TN system)</b>	<= 3.5 mA
<b>Motor protection</b>	Thermal overload protector (TOP) wired internally
<b>Cable exit</b>	Variable
<b>Product conforming to standard</b>	EN 61800-5-1; CE
<b>Approval</b>	CCC; EAC

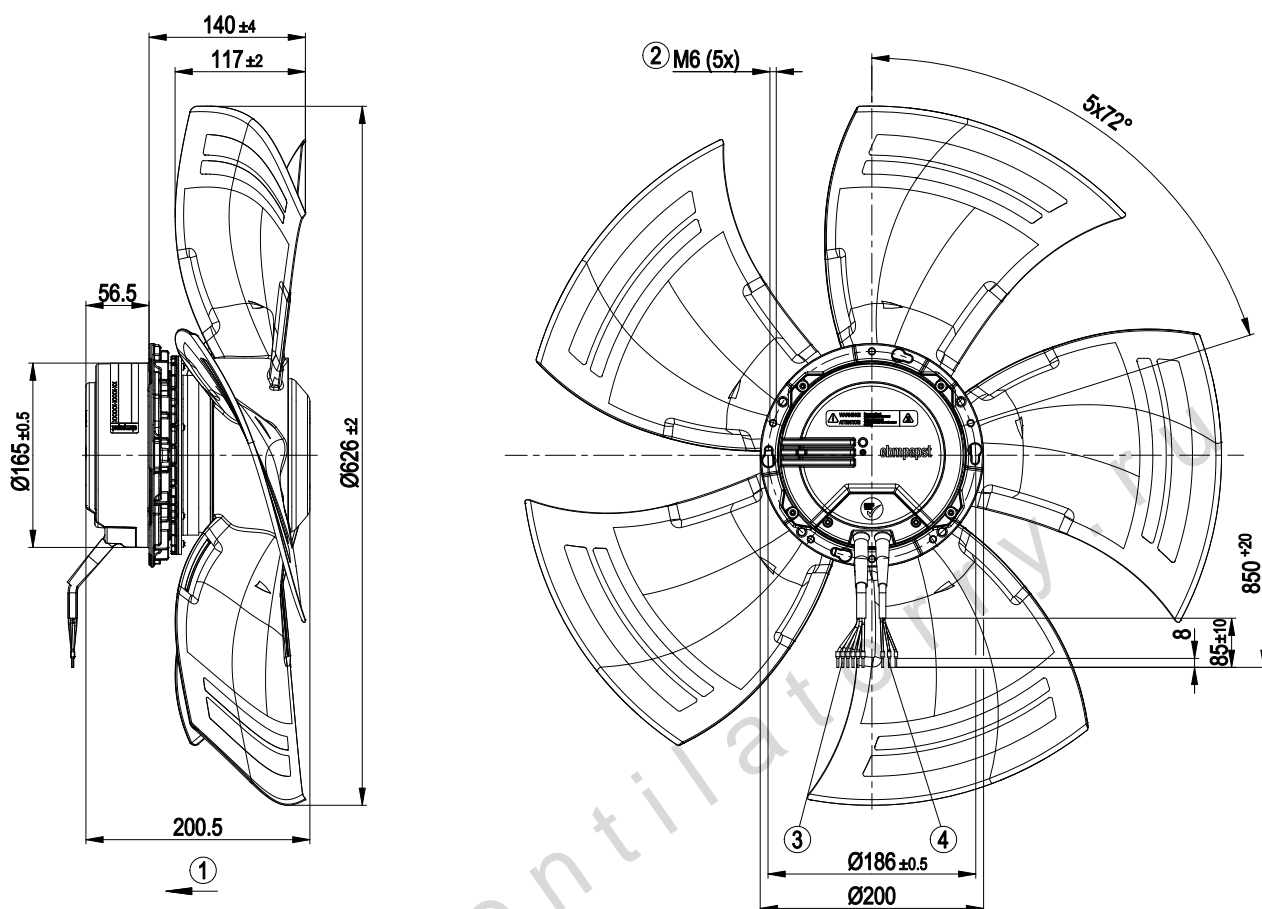


A3G630-AR85-01

# EC axial fan - HyBlade®

sickled blades (S series)

## Product drawing



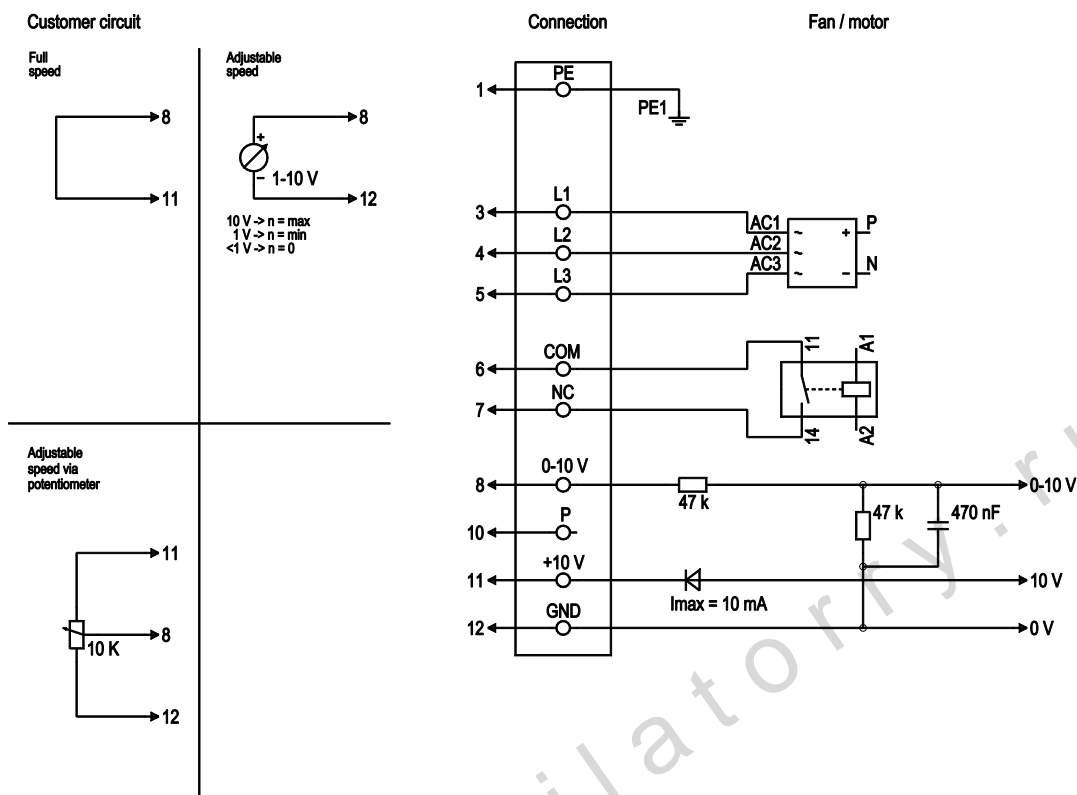
1	Direction of air flow "V"
2	Depth of screw max. 16 mm
3	Connection line PVC AWG18, 6x crimped core-end sleeves
4	Connection line PVC AWG22, 3x crimped core-end sleeves

A3G630-AR85-01

# EC axial fan - HyBlade®

sickled blades (S series)

## Connection screen



No.	Conn.	Designation	Colour	Function / assignment
1	1	PE	green/yellow	Ground wire
1	3	L1	black	Supply voltage, 50/60 Hz
1	4	L2	black	Supply voltage, 50/60 Hz
1	5	L3	black	Supply voltage, 50/60 Hz
1	6	COM	white 1	Floating status message contact, normally closed connection (2 A, max. 250 VAC, min. 10 mA, AC1)
1	7	NC	white 2	Floating status message contact, normally closed connection
2	8	0-10 V	yellow	Control input, set value 0-10 VDC, impedance 100 kΩ, SELV
2	10	P	orange	Do not use
2	11	+10 V	red	Voltage output 10 VDC (+/-3%), max. 10 mA, supply voltage for external devices (e.g. potentiometer), SELV
2	12	GND	blue	Reference mass for control interface, SELV

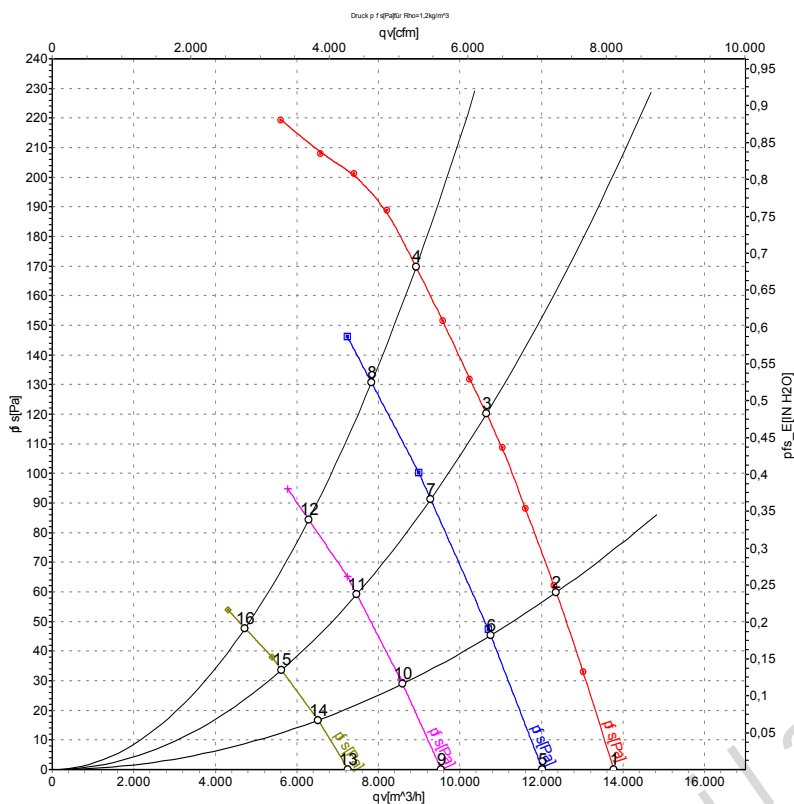


A3G630-AR85-01

# EC axial fan - HyBlade®

sickled blades (S series)

## Charts: Air flow 50 Hz



Air performance measured as per ISO 5801 Installation category A. For detailed information on the measuring set-up, please contact ebmpapst. Suction-side noise levels: L<sub>wA</sub> measured as per ISO 13347 / L<sub>pA</sub> measured with 1m distance to fan axis. The values given are valid under the measuring conditions mentioned above and may vary according to the actual installation situation. With any deviation from the standard set-up, the specific values have to be checked and reviewed with the unit installed.

## Measured values

	U	f	n	P <sub>ed</sub>	I	L <sub>pA<sub>in</sub></sub>	L <sub>wA<sub>in</sub></sub>	L <sub>wA<sub>out</sub></sub>	qv	p <sub>fs</sub>
	V	Hz	min <sup>-1</sup>	W	A	dB(A)	dB(A)	dB(A)	m <sup>3</sup> /h	Pa
1	400	50	1140	642	1.02	67	74	74	13770	0
2	400	50	1140	775	1.25	64	71	71	12360	60
3	400	50	1140	892	1.42	66	72	71	10650	120
4	400	50	1140	970	1.60	68	74	73	8920	170
5	400	50	1000	406	0.75	64	71	70	12020	0
6	400	50	1000	490	0.86	61	68	67	10750	45
7	400	50	1000	564	0.95	62	69	68	9280	91
8	400	50	1000	626	1.05	63	70	69	7830	131
9	400	50	800	224	0.45	59	65	65	9540	0
10	400	50	800	270	0.53	56	62	62	8595	29
11	400	50	800	300	0.58	56	63	62	7470	59
12	400	50	800	331	0.64	57	64	64	6290	84
13	400	50	600	109	0.25	52	59	58	7255	0
14	400	50	600	124	0.28	50	56	56	6520	17
15	400	50	600	139	0.31	50	56	56	5625	34
16	400	50	600	152	0.33	50	57	57	4730	48

U = Supply voltage · f = Frequency · n = Speed · P<sub>ed</sub> = Power input · I = Current draw · L<sub>pA<sub>in</sub></sub> = Sound pressure level inlet side · L<sub>wA<sub>in</sub></sub> = Sound power level inlet side · L<sub>wA<sub>out</sub></sub> = Sound power level outlet side  
 qv = Air flow · p<sub>fs</sub> = Pressure increase

