

Max. 1910 m³/h

EC axial fans

Ø 250 mm



- **Material:** Housing: Die-cast aluminum
Blades: PP plastic
Rotor: Thick-film passivated
- **Number of blades:** 7
- **Direction of air flow:** "V"
- **Direction of rotation:** Counterclockwise, looking towards rotor
- **Degree of protection:** Depending on installation and position⁽²⁾
- **Insulation class:** "B"
- **Installation position:** Any
- **Condensate discharges:** None, open rotor
- **Mode of operation:** Continuous operation (S1)
- **Bearings:** Maintenance-free ball bearings

Nominal data		Curve	Nominal voltage	Frequency	Nominal speed	Max. power consumption ⁽¹⁾	Max. input current ⁽¹⁾	Max. back-pressure	Admissible amb. temp.	Weight	Technical features and connection diagram
Type	Motor	VAC	Hz	rpm ⁻¹	W	A	Pa	°C	kg		
W3G250-HH07 -01	M3G 055-CF	Ⓐ 1~200-240	50/60	2 330	83	0,72	100	-25...+60	2,1	P. 260 / H3)	
W3G250-HH07 -03	M3G 055-CF	Ⓑ 1~200-240	50/60	2 330	83	0,72	100	-25...+60	2,1	P. 261 / H4)	
W3G250-HH53 -03	M3G 055-CF	Ⓒ 1~115	50/60	2 040	56	0,90	80	-25...+50	2,1	P. 261 / H4)	
W3G250-HK35 -11	M3G 055-CF	Ⓓ 1~115	50/60	2 700	125	1,90	130	-25...+60	2,1	P. 261 / H4)	

Subject to change

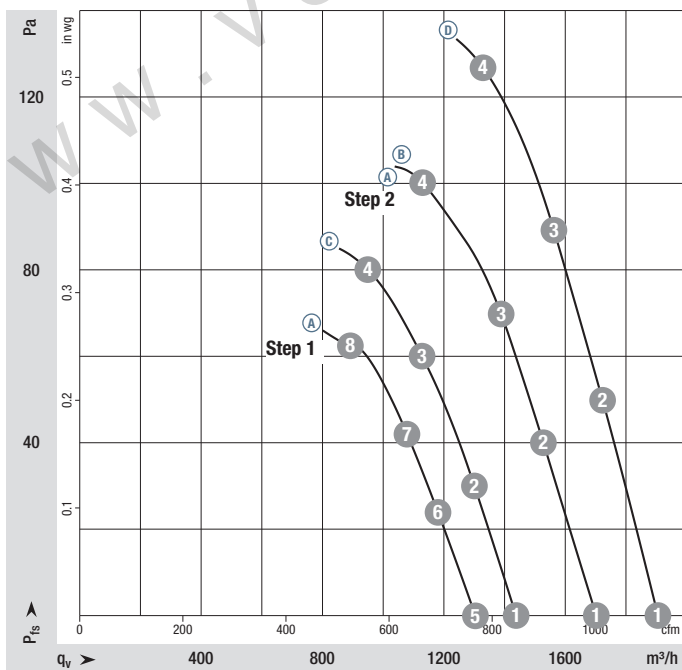
⁽¹⁾ Nominal data in operating point with maximum load and 230 VAC

⁽²⁾ Not suitable for permanent outdoor use. Special version available on request.

Curves:

Ⓐ 2 Speed stages

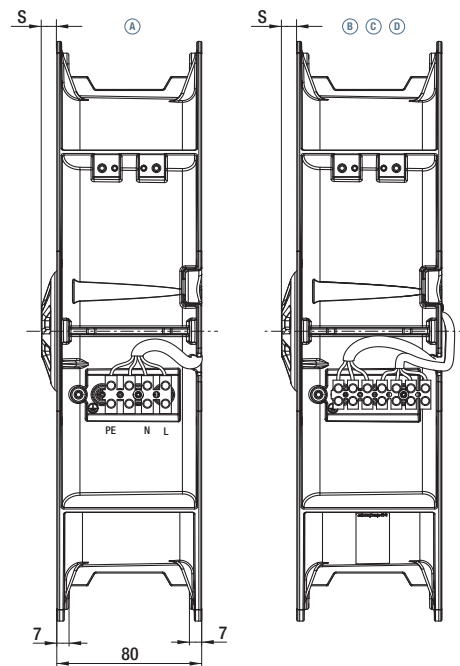
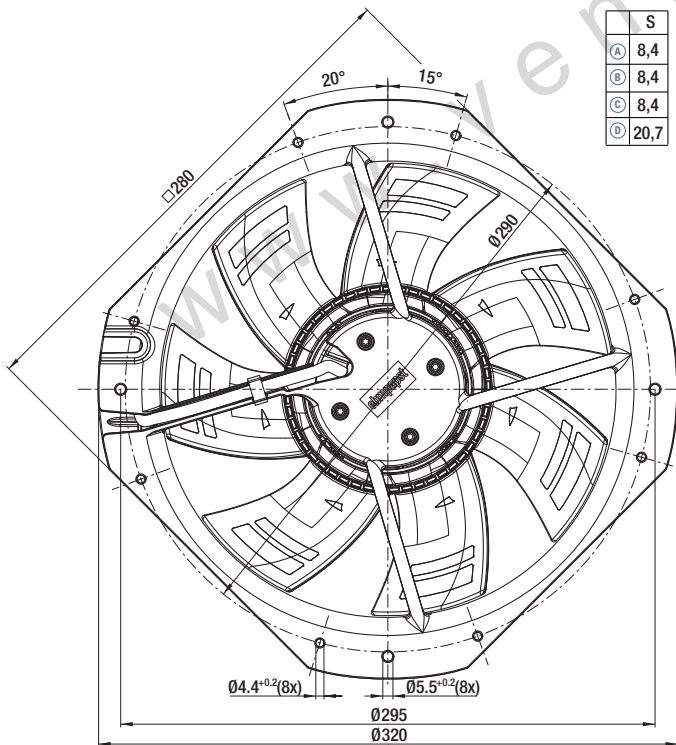
Ⓑ Ⓒ Ⓓ Speed-controlled



Air performance measured according to: ISO 5801, Installation category A, without contact protection. Suction-side noise levels: L_{WA} according to ISO 13347, L_{WA} measured at 1 m distance from fan axis. The values given are applicable only under the specified measuring conditions and may differ depending on the installation conditions. In the event of deviation from the standard configuration, the parameters must be checked after installation! For detailed information see <http://www.ebmpapst.com/general-conditions>

	n rpm ⁻¹	P _{ed} W	I A	L _{WA} dB(A)
Ⓐ 1	2465	67	0,59	69
Ⓐ 2	2410	75	0,65	69
Ⓐ 3	2375	80	0,68	68
Ⓐ 4	2330	83	0,72	69
Ⓐ 5	1900	33	0,33	63
Ⓐ 6	1880	37	0,37	63
Ⓐ 7	1860	40	0,38	62
Ⓐ 8	1850	42	0,40	63
Ⓑ 1	2465	67	0,59	69
Ⓑ 2	2410	75	0,65	69
Ⓑ 3	2375	80	0,68	68
Ⓑ 4	2330	83	0,72	69
Ⓒ 1	2140	43	0,72	63
Ⓒ 2	2100	49	0,80	63
Ⓒ 3	2070	53	0,86	64
Ⓒ 4	2040	56	0,90	65
Ⓓ 1	2820	93	1,43	70
Ⓓ 2	2760	106	1,61	71
Ⓓ 3	2725	114	1,72	71
Ⓓ 4	2700	125	1,90	71

- **Technical features:** See connection diagram p. 260/261
- **Touch current:** ≤ 3.5 mA acc. to IEC 60990 (test circuit, illustration 4)
- **Electrical hookup:** Via terminal strip
- **Protection class:** I (with customer connection to grounding conductor)
- **Conformity with standard(s):** EN 60335-1, CE
- **Approvals:** VDE, cURus



"V" >

"V" >