

Max. 175 m<sup>3</sup>/h

# GreenTech EC tubeaxial fans

□ 119 x 38 mm



- **Material:** Housing: GRP<sup>1)</sup> (PBT)  
Impeller: GRP<sup>1)</sup> (PA)
  - **Direction of air flow:** Exhaust over struts
  - **Direction of rotation:** Clockwise, looking towards rotor
  - **Connection:** with flat plug 2.8 x 0.5, optionally also with exposed external wires
  - **Highlights:** Fully integrated converter and fan electronics
  - **Weight:** 250 g
- **Possible special versions:**  
(See chapter DC fans - specials)
    - Moisture protection
    - Salt spray protection
    - Degree of protection: IP 54

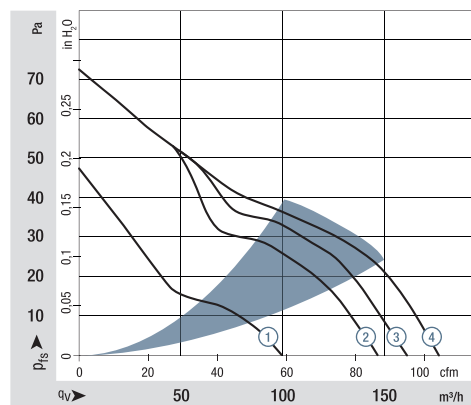
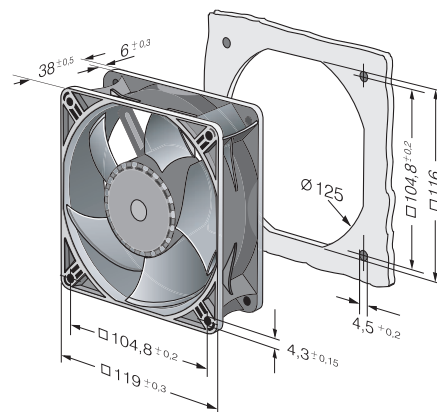
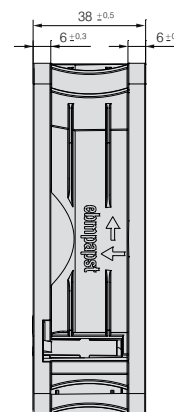
1) Fiberglass-reinforced plastic

Series ACi 4400

Nominal data

Type	Air flow		Nominal voltage	Frequency	Voltage range	Sound pressure level	Sound power level	Sinter sleeve bearings Ball bearings	Power consumption	Nominal speed	Temperature range	Service life L <sub>10</sub> (40 °C) ebm-papst standard	Service life L <sub>10</sub> (T <sub>max</sub> ) ebm-papst standard	Life expectancy L <sub>10</sub> DFC (40 °C) see page 17	Curve
	m <sup>3</sup> /h	cfm													
ACi 4420 ML	100	59	230	50 / 60	195...265	25	4.1	■	1.7	1 850	-40...+75	65 000 / 25 000	110 000	110 000	①
ACi 4420 N	147	86	230	50 / 60	195...265	36	4.9	■	2.8	2 700	-40...+75	65 000 / 25 000	110 000	110 000	②
ACi 4420 H	160	94	230	50 / 60	195...265	39	5.1	■	3.2	3 000	-40...+75	65 000 / 25 000	110 000	110 000	③
ACi 4420 HH	175	103	230	50 / 60	195...265	42	5.3	■	4.6	3 300	-40...+75	65 000 / 25 000	110 000	110 000	④
ACi 4410 HH	175	103	115	50 / 60	85...132	42	5.3	■	4.4	3 300	-40...+75	65 000 / 25 000	110 000	110 000	④

Subject to change



Air performance measured according to: ISO 5801.  
Installation category A, without contact protection.  
Noise: Total sound power level L<sub>WA</sub> ISO 103002 measured on a hemisphere with a radius of 2 m.  
Sound pressure level L<sub>pA</sub> measured at 1 m distance from fan axis.  
The values given are applicable only under the specified measuring conditions and may differ depending on the installation conditions.  
In the event of deviation from the standard configuration, the parameters must be checked after installation!  
For detailed information see <http://www.ebmpapst.com/general conditions>