

AC centrifugal fans

backward curved, Ø 225

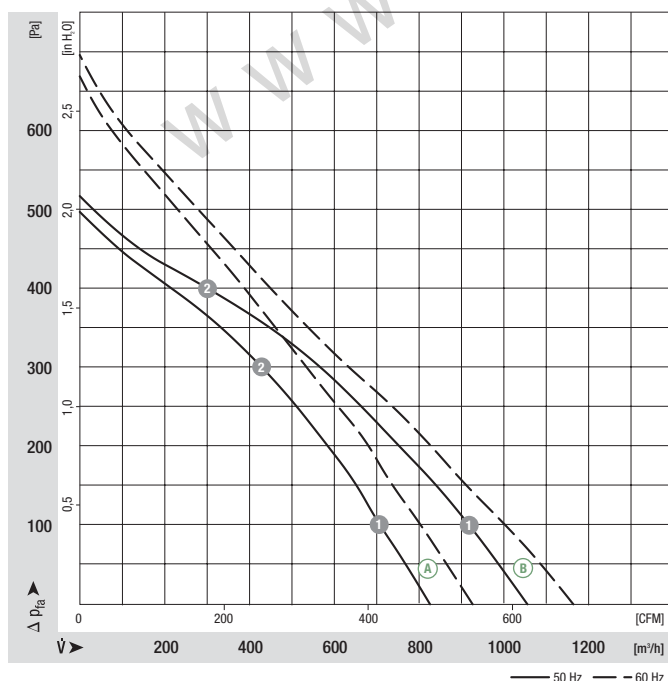


- **Material:** Impeller: PA plastic 6.6, fibreglass-reinforced
Rotor: Coated in black
- **Number of blades:** 11
- **Direction of rotation:** Clockwise, seen on rotor
- **Type of protection:** IP 44
- **Insulation class:** "B"
- **Mounting position:** Shaft horizontal or rotor on bottom; rotor on top on request
- **Condensate discharges:** Rotor-side
- **Mode of operation:** Continuous operation (S1)
- **Bearings:** Maintenance-free ball bearings

Nominal data		Curve	Nominal voltage	Frequency	Air flow	Speed/rpm	Power input	Current draw	Capacitor	Sound pressure level	Perm. amb. temp.	Electr. connection
Type	Motor	VAC	Hz	m³/h	rpm	W	A	µF/VDB	dB(A)	°C	p. 596 f.	
R2E 225	M2E 068-DF	A	1~ 230	50	850	2650	105	0.46	3.0/450	70	-25 to +60	A1)
			1~ 230	60	945	2950	145	0.64	3.0/450	72	-25 to +65	
R2E 225	M2E 068-DF	B	1~ 230	50	1050	2700	115	0.51	3.0/450	72	-25 to +60	A1)
			1~ 230	60	1160	3000	165	0.72	3.0/450	75	-25 to +30	

subject to alterations

Curves



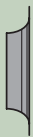
	n [rpm]	P ₁ [W]	I [A]
A 1	2580	110	0.49
A 2	2560	113	0.50
B 1	2620	135	0.60
B 2	2670	124	0.55

- **Motor protection:** TOP wired internally
- **Cable exit:** Variable
- **Protection class:** I
- **Product conforming to standards:** EN 60335-1, CE
- **Approvals:** CCC,  also GOST

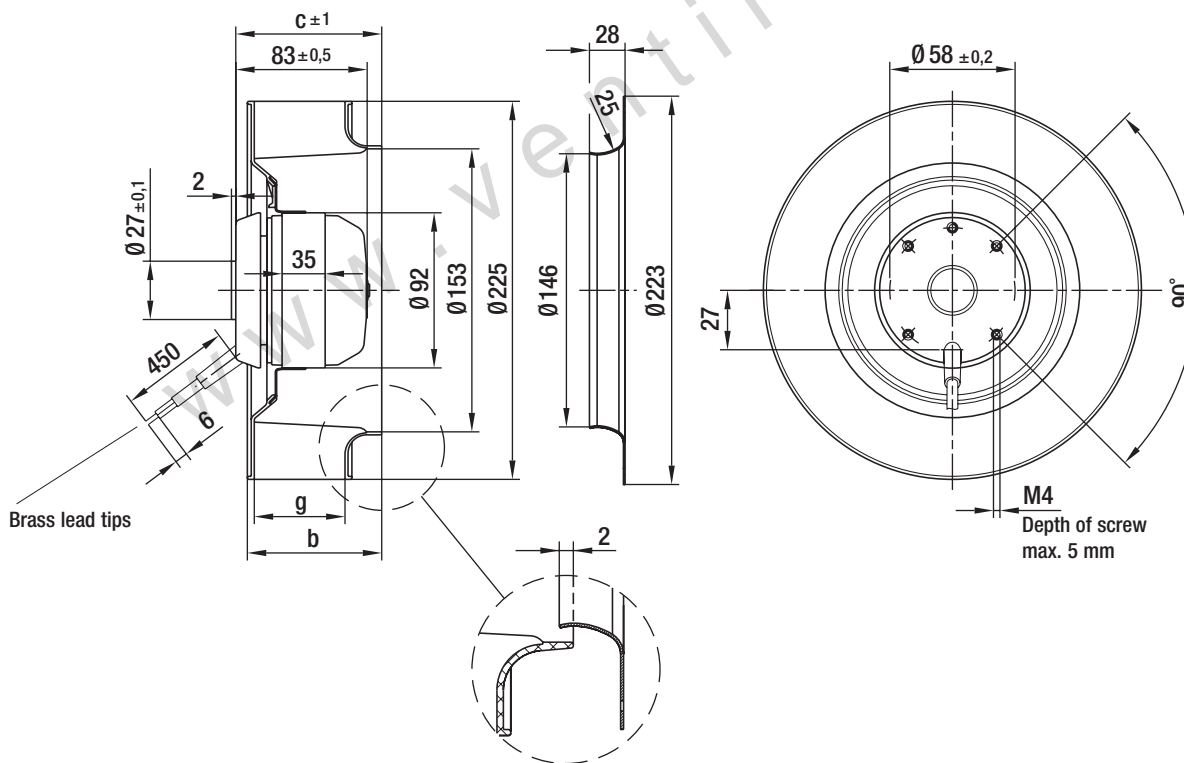


Mass of centrifugal fan

Dimensions



Centrifugal fan	kg	b	c	g	Inlet nozzle (long)
R2E 225-AT51 -05	2.1	63.3	69.0	38.0	96358-2-4013
R2E 225-AX52 -05	2.1	75.3	85.0	50.0	96358-2-4013



AC centrifugal fans

backward curved, Ø 225

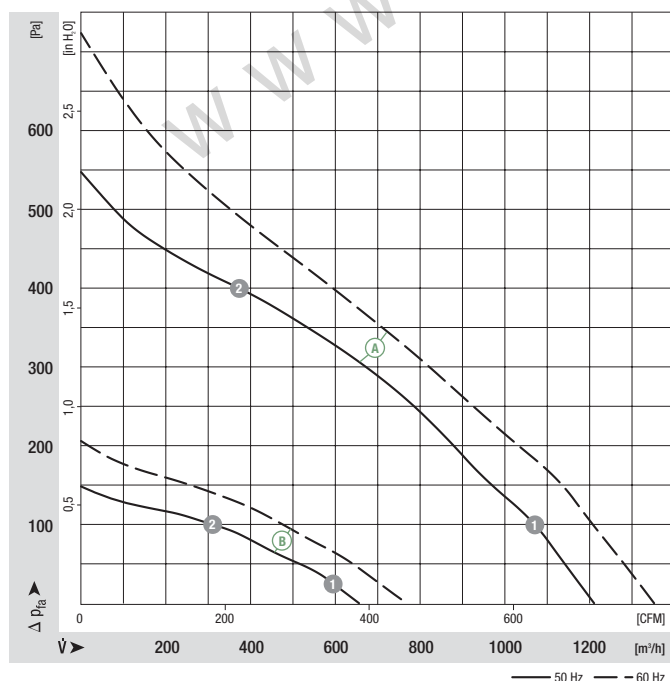


- **Material:** Impeller: PA plastic 6.6, fibreglass-reinforced
Rotor: Coated in black
- **Number of blades:** 7
- **Direction of rotation:** Clockwise, seen on rotor
- **Type of protection:** IP 44
- **Insulation class:** Ⓐ "F", Ⓑ "B"
- **Mounting position:** Shaft horizontal or rotor on bottom; rotor on top on request
- **Condensate discharges:** Rotor-side
- **Mode of operation:** Continuous operation (S1)
- **Bearings:** Maintenance-free ball bearings

Nominal data		Curve	Nominal voltage	Frequency	Air flow	Speed/rpm	Power input	Current draw	Capacitor	Sound pressure level	Perm. amb. temp.	Electr. connection
Type	Motor	VAC	Hz	m³/h	rpm	W	A	µF/VDB	dB(A)	°C	p. 596 f.	
R2E 225	M2E 068-DF	Ⓐ	1~ 230	50	1200	2650	135	0.60	4.0/450	69	-25 to +60	A1)
			1~ 230	60	1340	2950	200	0.88	4.0/450	71	-25 to +60	
R4E 225	M4E 068-CF	Ⓑ	1~ 230	50	655	1420	40	0.20	1.5/400	59	-25 to +50	A1)
			1~ 230	60	765	1660	37	0.18	1.0/400	61	-25 to +80	

subject to alterations

Curves



	n [rpm]	P ₁ [W]	I [A]
Ⓐ 1	2610	146	0.66
Ⓐ 2	2650	138	0.61
Ⓑ 1	1410	41	0.20
Ⓑ 2	1400	43	0.21

- **Motor protection:** TOP wired internally
- **Cable exit:** (A) variable, (B) axial
- **Protection class:** I
- **Product conforming to standards:** EN 60335-1, CE
- **Approvals:** CCC



Mass of centrifugal fan

Dimensions



Centrifugal fan	kg	d	e	Inlet nozzle (long)
R2E 225-BD92 -09	2.1	83.0	35.0	96358-2-4013
R4E 225-AT01 -05	1.8	72.6	25.0	96358-2-4013

