

# AC centrifugal fans

backward curved, Ø 280

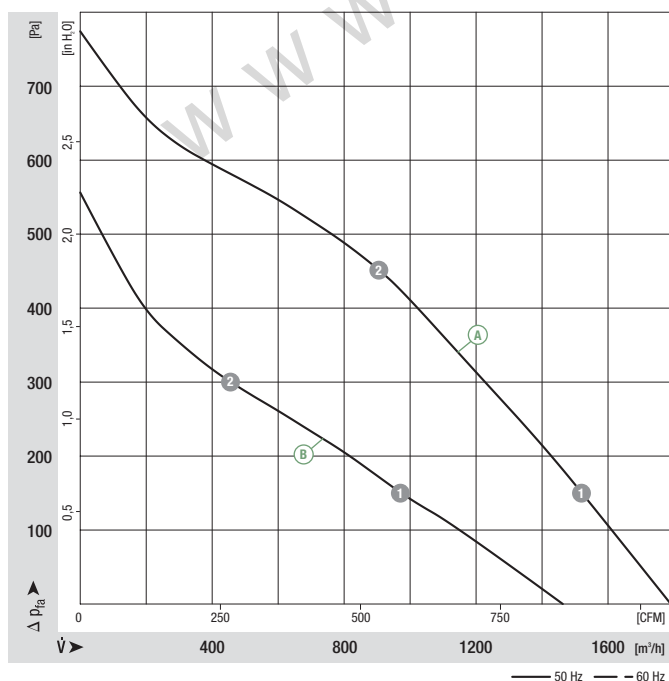


- **Material:** Impeller: Sheet steel, galvanised  
Rotor: Coated in black
- **Number of blades:** 11
- **Direction of rotation:** Clockwise, seen on rotor
- **Type of protection:** IP 44
- **Insulation class:** "F"
- **Mounting position:** Shaft horizontal or rotor on bottom; rotor on top on request
- **Condensate discharges:** Rotor-side
- **Mode of operation:** Continuous operation (S1)
- **Bearings:** Maintenance-free ball bearings

Nominal data		Curve	Nominal voltage	Frequency	Air flow	Speed/rpm	Power input	Current draw	Capacitor	Sound pressure level	Perm. amb. temp.	Electr. connection
Type	Motor	VAC	Hz	m³/h	rpm	W	A	µF/VDB	dB(A)	°C	p. 596 f.	
R2D 280	M2D 074-EI	Ⓐ 3~ 400 Δ	50	1790	2730	210	0.37	—	79	-25 to +80	F1a)/F2a)	
		Ⓑ 3~ 400 Y	50	1460	2200	160	0.25	—	75	-25 to +70		

subject to alterations

## Curves



	n [rpm]	P <sub>1</sub> [W]	I [A]
Ⓐ 1	2650	252	0.44
Ⓐ 2	2550	302	0.53
Ⓑ 1	1960	187	0.30
Ⓑ 2	1975	185	0.29

- **Motor protection:** Design with thermal overload protector
- **Cable exit:** Variable
- **Protection class:** I
- **Product conforming to standards:** EN 60335-1, CE



Mass of centrifugal fan



Centrifugal fan

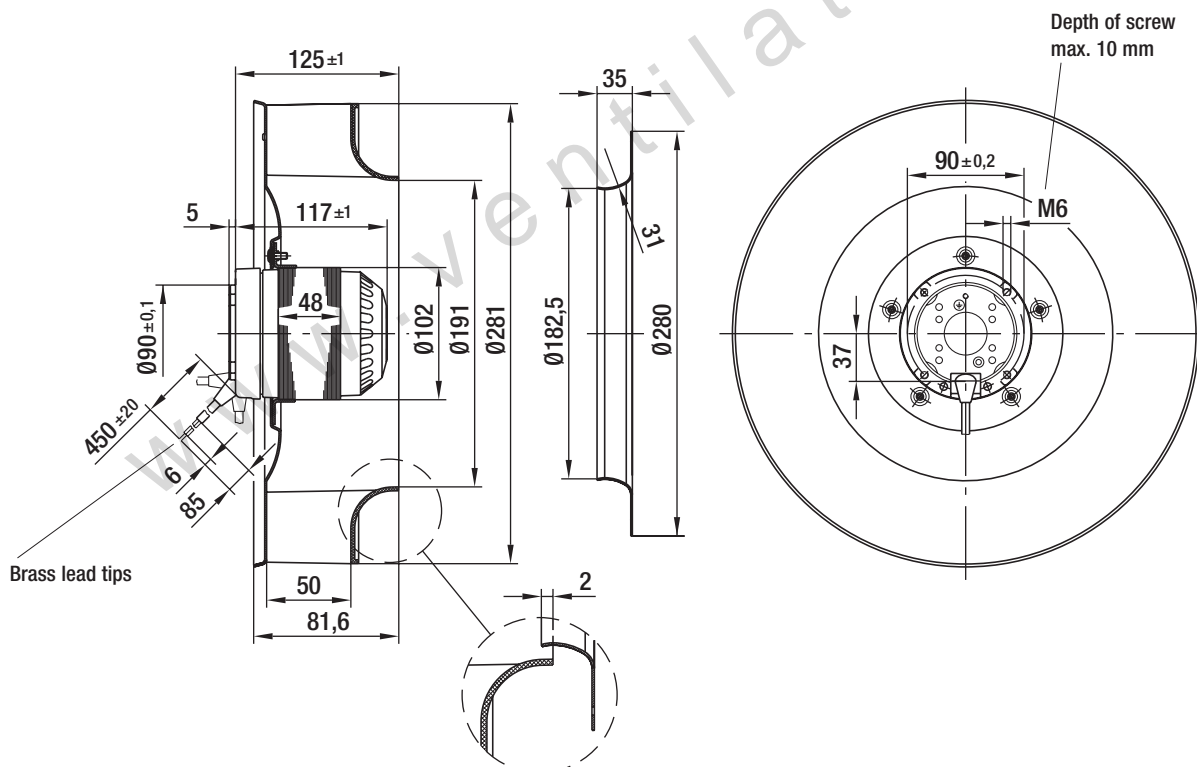
kg

Inlet nozzle (long)

R2D 280-AF10 -09

4.6

96360-2-4013



# AC centrifugal fans

backward curved, Ø 280

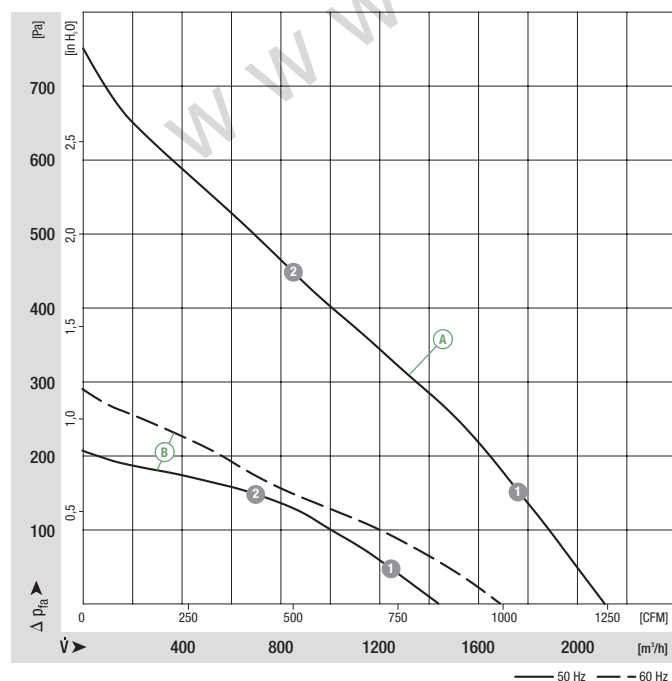


- **Material:** Impeller: Sheet steel, coated in black  
Rotor: Coated in black
- **Number of blades:** 11
- **Direction of rotation:** Clockwise, seen on rotor
- **Type of protection:** IP 44
- **Insulation class:** Ⓐ "F", Ⓑ "B"
- **Mounting position:** Shaft horizontal or rotor on bottom; rotor on top on request
- **Condensate discharges:** Rotor-side
- **Mode of operation:** Continuous operation (S1)
- **Bearings:** Maintenance-free ball bearings

Nominal data		Curve	Nominal voltage	Frequency	Air flow	Speed/rpm	Power input	Current draw	Capacitor	Sound pressure level	Perm. amb. temp.	Electr. connection
Type	Motor	VAC	Hz	m³/h	rpm	W	A	µF/VDB	dB(A)	°C	p. 596 f.	
R2E 280	M2E 068-EC	Ⓐ 1~ 230	50	2110	2700	225	1.00	7.0/400	76	-25 to +40	A1)	
R4E 280	M4E 068-DF	Ⓑ 1~ 230	50	1435	1420	78	0.35	2.5/450	62	-25 to +40	A1)	
		1~ 230	60	1685	1635	105	0.42	2.5/450	67	-25 to +40		

subject to alterations

## Curves



	n [rpm]	P <sub>1</sub> [W]	I [A]
Ⓐ 1	2560	265	1.18
Ⓐ 2	2390	312	1.38
Ⓑ 1	1380	88	0.40
Ⓑ 2	1340	99	0.44

- **Motor protection:** TOP wired internally
- **Cable exit:** (A) variable, (B) axial
- **Protection class:** I
- **Capacitor:** (A) FPU (P2) acc. to IEC 252
- **Product conforming to standards:** EN 60335-1, CE
- **Approvals:** CCC, GOST



Mass of centrifugal fan

Dimensions



Centrifugal fan	kg	b	d	e	g	Inlet nozzle (long)
R2E 280-AE52 -05	3.0	81.6	97.5	42.0	50.0	96360-2-4013
R4E 280-AD08 -05	2.8	111.4	82.5	35.0	80.0	96360-2-4013

