

# AC centrifugal blowers

dual inlet, Ø 160

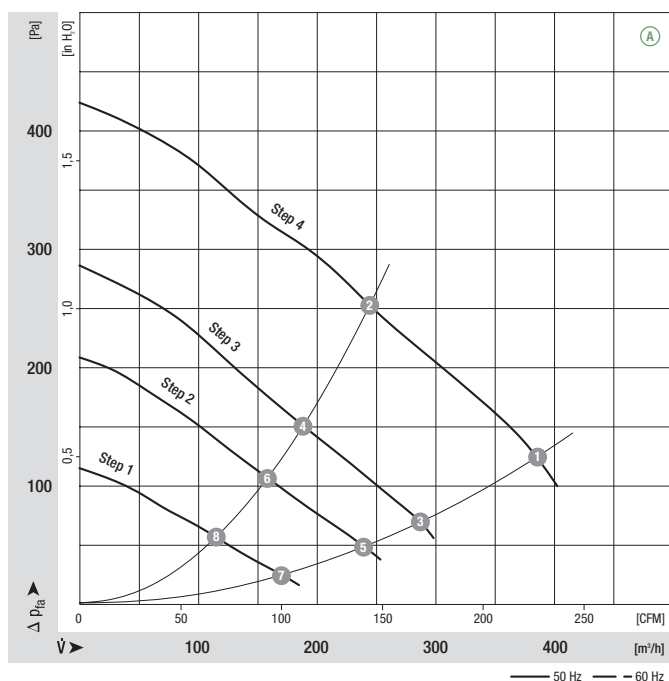


- **Material:** Housing: PP plastic, black  
Impeller: Galvanised sheet steel  
Rotor: Partially cast in aluminium  
Terminal box: PP plastic, black
- **Direction of rotation:** Clockwise, seen on rotor
- **Type of protection:** IP 44
- **Insulation class:** "F"
- **Mounting position:** Any
- **Condensate discharges:** None
- **Mode of operation:** Continuous operation (S1)
- **Design:** 4-step blower with integrated terminal box, standard external-rotor motor anti-vibration mounted on one side
- **Bearings:** Maintenance-free ball bearings

Nominal data		Curve	Nominal voltage	Frequency	Air flow	Speed/rpm	Power input	Current draw	Capacitor	Sound pressure level	Min. back pressure	Perm. amb. temp.	Electr. connection
Type	Motor	VAC	Hz	m³/h	rpm	W	A	µF/VDB	dB(A)	Pa	°C		
D2E 160	M2E 068-BF	Ⓐ 1~ 230	50	400	1170	110	0.49	2.5/400	53	100	-25 to +55	—	

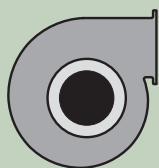
subject to alterations

## Curves



	n [rpm]	P <sub>1</sub> [W]	I [A]	Lp <sub>A</sub> [dB(A)]
Ⓐ 1	1210	108	0.47	51
Ⓐ 2	1735	102	0.44	55
Ⓐ 3	910	74	0.35	43
Ⓐ 4	1345	71	0.34	48
Ⓐ 5	765	64	0.31	38
Ⓐ 6	1135	61	0.30	44
Ⓐ 7	555	50	0.26	30
Ⓐ 8	835	49	0.25	36

- **Motor protection:** TOP wired internally
- **Connection leads:** Via plug
- **Protection class:** I
- **Capacitor:** FPU (P2) integrated in terminal box completely wired up and ready for plug-in
- **Product conforming to standards:** EN 60335-2-31, CE
- **Approvals:** CCC, GOST



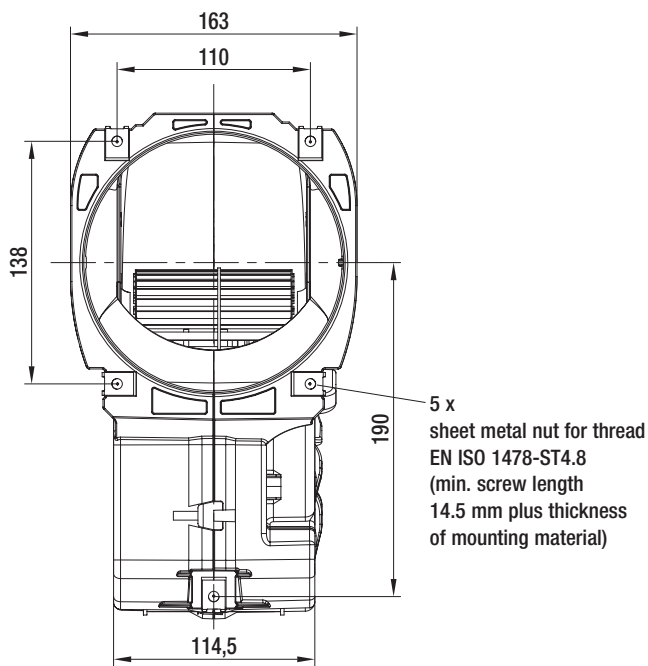
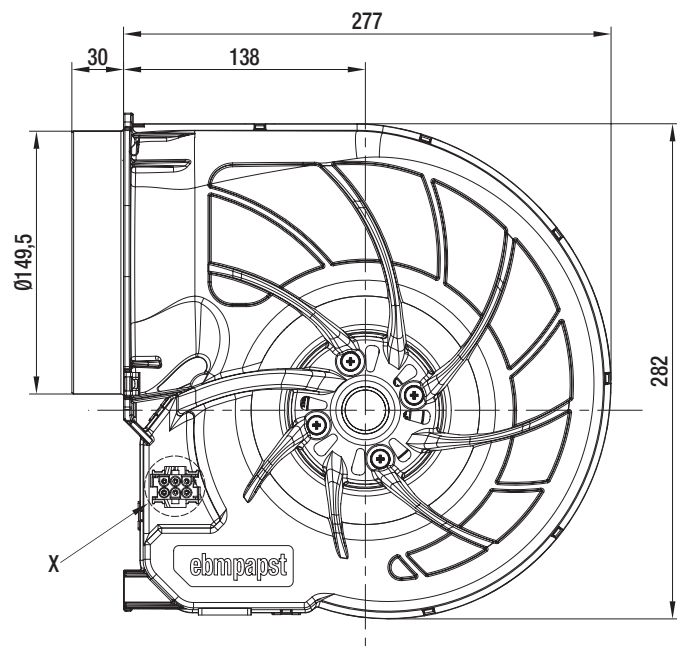
Mass of centrifugal blower

Centrifugal blower with flange

kg

D2E 160-FI01 -01

2.5

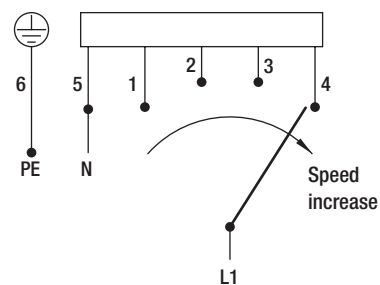


**View X**

AMP Universal Mate-N-Lok coded plug system  
 Connector shell: AMP 926 682-3  
 6 x plug pin: AMP 926 886-1

- |                      |              |  |
|----------------------|--------------|--|
| 1 = Step 1 (min.)    | white        |  |
| 2 = Step 2           | red          |  |
| 3 = Step 3           | grey         |  |
| 4 = Step 4 (max.)    | black        |  |
| 5 = N                | blue         |  |
| 6 = Protective earth | green/yellow |  |

**Electrical connection:**  
 When changing speeds, switch must break the circuit



# AC centrifugal blowers

dual inlet, Ø 160



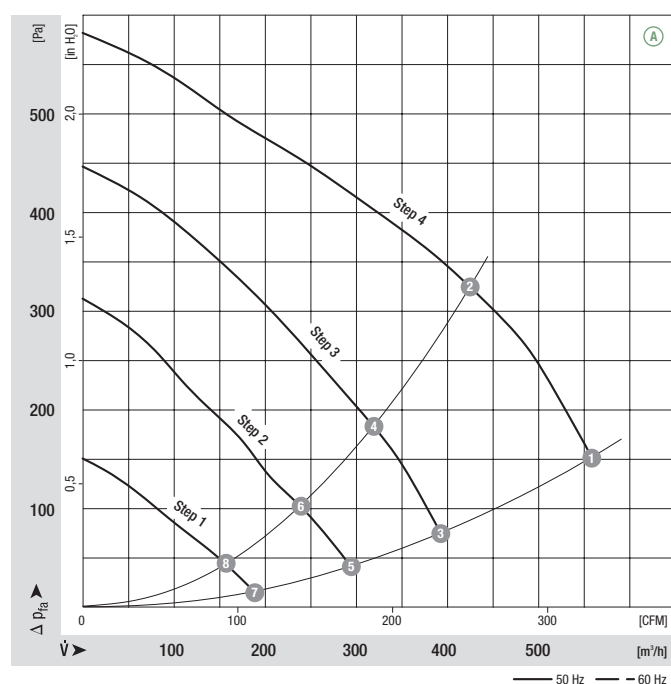
- **Material:** Housing: PP plastic, black  
Impeller: Galvanised sheet steel  
Rotor: Partially cast in aluminium  
Terminal box: PP plastic, black
- **Direction of rotation:** Clockwise, seen on rotor
- **Type of protection:** IP 44
- **Insulation class:** "F"
- **Mounting position:** Any
- **Condensate discharges:** None
- **Mode of operation:** Continuous operation (S1)
- **Design:** 4-step blower with integrated terminal box, standard external-rotor motor anti-vibration mounted on one side
- **Bearings:** Maintenance-free ball bearings

## Nominal data

Type	Motor	Curve	Nominal voltage VAC	Frequency Hz	Air flow m³/h	Speed/rpm	Power input W	Current draw A	Capacitor µF/VDB	Sound pressure level dB(A)	Min. back pressure Pa	Perm. amb. temp. °C	Electr. connection
D2E 160	M2E 068-CF	Ⓐ	1~ 230	50	550	1400	180	0.80	4.0/400	59	150	-25 to +40	—

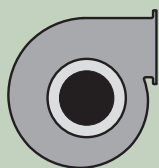
subject to alterations

## Curves



	n [rpm]	P <sub>1</sub> [W]	I [A]	Lp <sub>A</sub> [dB(A)]
Ⓐ 1	1400	180	0.80	59
Ⓐ 2	1920	162	0.70	60
Ⓐ 3	1010	120	0.56	48
Ⓐ 4	1450	113	0.53	52
Ⓐ 5	770	96	0.46	40
Ⓐ 6	1115	93	0.45	44
Ⓐ 7	500	76	0.38	28
Ⓐ 8	740	75	0.37	34

- **Motor protection:** TOP wired internally
- **Connection leads:** Via plug
- **Protection class:** I
- **Capacitor:** FPU (P2) integrated in terminal box completely wired up and ready for plug-in
- **Product conforming to standards:** EN 60335-2-31, CE
- **Approvals:** CCC, GOST



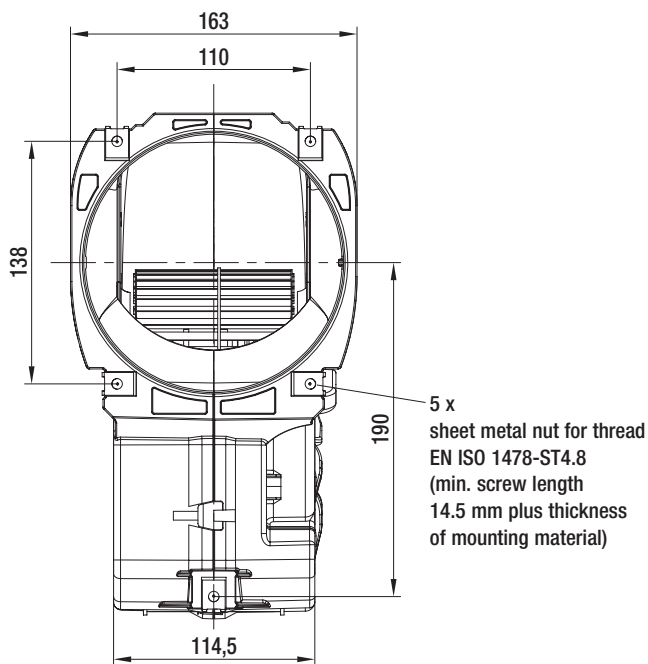
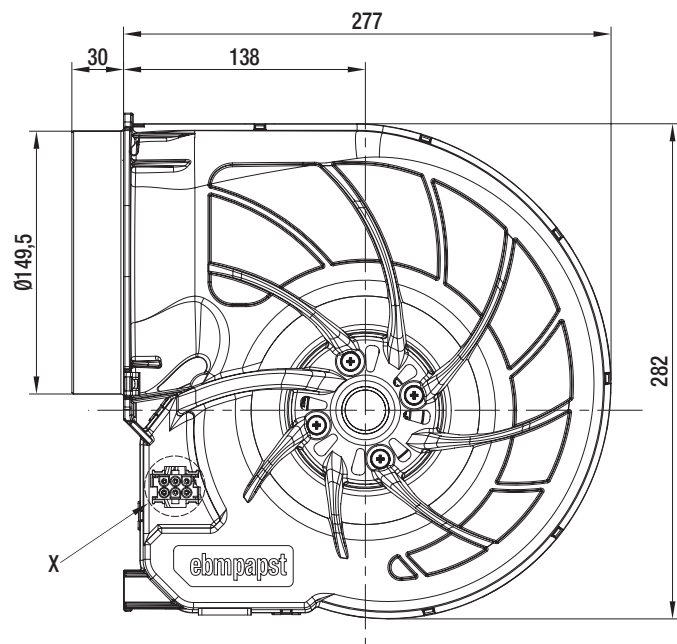
Mass of centrifugal blower

Centrifugal blower with flange

kg

D2E 160-FK11 -02

3.0



**View X**

AMP Universal Mate-N-Lok coded plug system  
 Connector shell: AMP 926 682-3  
 6 x plug pin: AMP 926 886-1

- |                      |              |  |
|----------------------|--------------|--|
| 1 = Step 1 (min.)    | white        |  |
| 2 = Step 2           | red          |  |
| 3 = Step 3           | grey         |  |
| 4 = Step 4 (max.)    | black        |  |
| 5 = N                | blue         |  |
| 6 = Protective earth | green/yellow |  |

**Electrical connection:**  
 When changing speeds, switch must break the circuit

