

AC centrifugal blowers

dual inlet, Ø 146

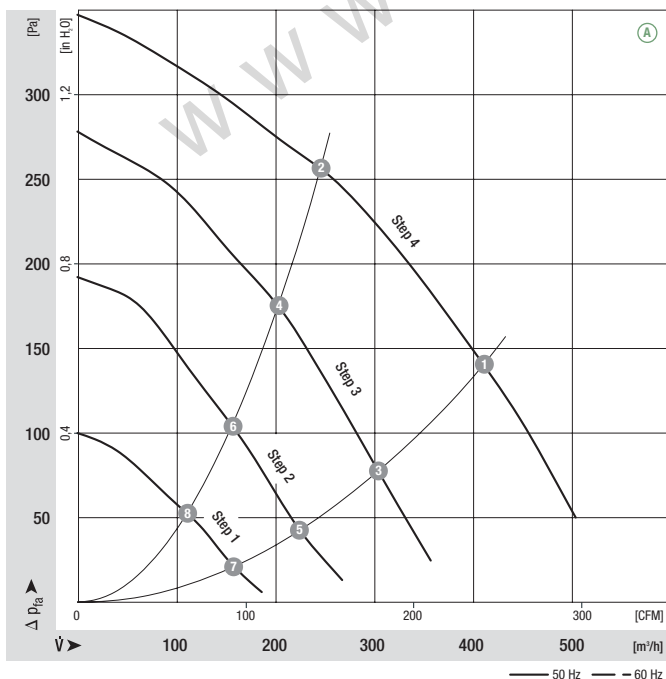


- **Material:** Housing: PP plastic, black
Impeller: PA plastic, red-brown
Rotor: Partially cast in aluminium
Terminal box: PP plastic, black
- **Direction of rotation:** Clockwise, seen on rotor
- **Type of protection:** IP 44
- **Insulation class:** "F"
- **Mounting position:** Any
- **Condensate discharges:** None
- **Mode of operation:** Continuous operation (S1)
- **Design:** 4-step blower with integrated terminal box, standard external-rotor motor anti-vibration mounted via support plate
- **Bearings:** Maintenance-free ball bearings

Nominal data		Curve	Nominal voltage	Frequency	Air flow	Speed/rpm	Power input	Current draw	Capacitor	Sound pressure level	Min. back pressure	Perm. amb. temp.	Electr. connection
Type	Motor	VAC	Hz	m³/h	rpm	W	A	µF/VDB	dB(A)	Pa	°C		
D2E 146	M2E 068-CA	Ⓐ 1~ 230	50	520	1350	120	0.53	3.0/400	51	50	-25 to +55	—	
		1~ 230	60	375	1400	125	0.55	3.0/400	53	100	-25 to +40		

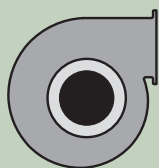
subject to alterations

Curves



	n [rpm]	P ₁ [W]	I [A]	Lp _A [dB(A)]
Ⓐ 1	1635	113	0.49	55
Ⓐ 2	2115	104	0.45	58
Ⓐ 3	1210	72	0.36	48
Ⓐ 4	1740	66	0.35	53
Ⓐ 5	925	58	0.31	40
Ⓐ 6	1355	55	0.30	47
Ⓐ 7	660	48	0.27	31
Ⓐ 8	960	46	0.26	38

- **Motor protection:** TOP wired internally
- **Connection leads:** Via plug
- **Protection class:** I
- **Capacitor:** FPU (P2) integrated in terminal box completely wired up and ready for plug-in
- **Product conforming to standards:** EN 60335-2-31, CE
- **Approvals:** VDE



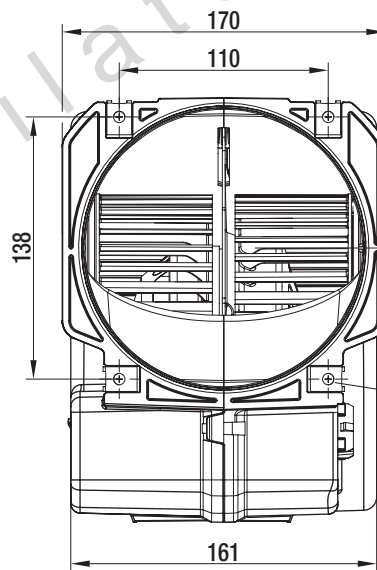
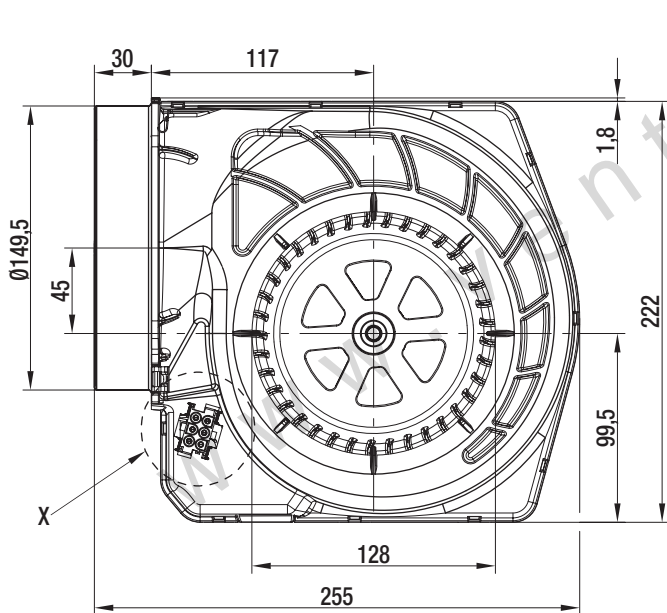
Mass of centrifugal blower

Centrifugal blower with flange

kg

D2E 146-KA45 -01

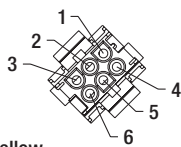
2.5



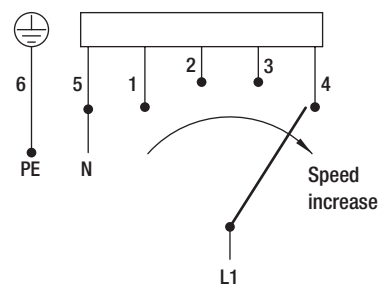
View X

AMP Universal Mate-N-Lok coded plug system
 Connector shell: AMP 926 682-3
 6 x plug pin: AMP 926 886-1

- 1 = Step 1 (min.) white
- 2 = Step 2 red
- 3 = Step 3 grey
- 4 = Step 4 (max.) black
- 5 = N blue
- 6 = Protective earth green/yellow



Electrical connection:
 When changing speeds, switch must break the circuit



AC centrifugal blowers

dual inlet, Ø 146

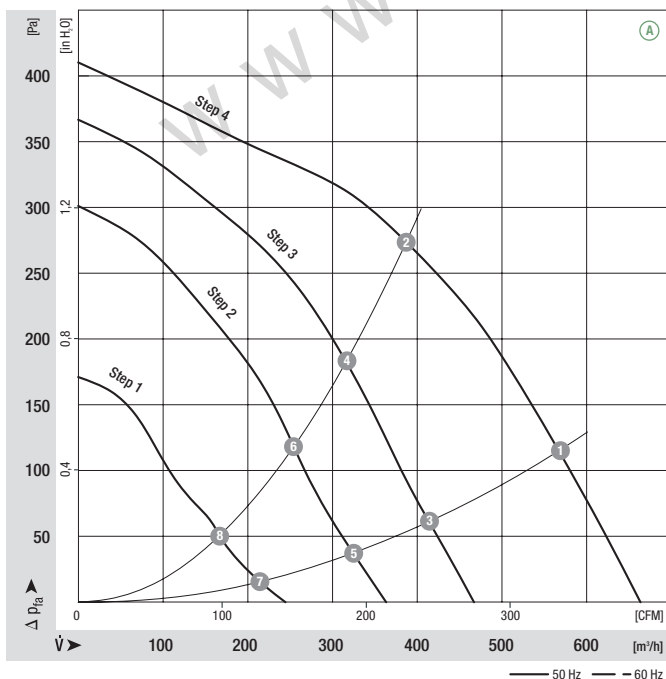


- **Material:** Housing: PP plastic, black
Impeller: PA plastic, red-brown
Rotor: Partially cast in aluminium
Terminal box: PP plastic, black
- **Direction of rotation:** Clockwise, seen on rotor
- **Type of protection:** IP 44
- **Insulation class:** "F"
- **Mounting position:** Any
- **Condensate discharges:** None
- **Mode of operation:** Continuous operation (S1)
- **Design:** 4-step blower with integrated terminal box, standard external-rotor motor anti-vibration mounted via support plate
- **Bearings:** Maintenance-free ball bearings

Nominal data		Curve	Nominal voltage	Frequency	Air flow	Speed/rpm	Power input	Current draw	Capacitor	Sound pressure level	Min. back pressure	Perm. amb. temp.	Electr. connection
Type	Motor	VAC	Hz	m³/h	rpm	W	A	µF/VDB	dB(A)	Pa	°C		
D2E 146	M2E 068-CF	Ⓐ 1~ 230 1~ 230	50 60	665 390	1250 1950	160 170	0.70 0.75	4.0/400 4.0/400	53 58	0 200	-25 to +50 -25 to +40	—	

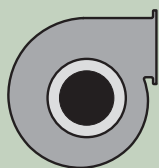
subject to alterations

Curves



	n [rpm]	P ₁ [W]	I [A]	Lp _A [dB(A)]
Ⓐ 1	1675	151	0.66	59
Ⓐ 2	2185	136	0.60	62
Ⓐ 3	1230	101	0.50	50
Ⓐ 4	1800	92	0.47	55
Ⓐ 5	950	85	0.43	43
Ⓐ 6	1440	80	0.42	49
Ⓐ 7	660	71	0.37	31
Ⓐ 8	960	68	0.36	38

- **Motor protection:** TOP wired internally
- **Connection leads:** Via plug
- **Protection class:** I
- **Capacitor:** FPU (P2) integrated in terminal box completely wired up and ready for plug-in
- **Product conforming to standards:** EN 60335-2-31, CE
- **Approvals:** VDE



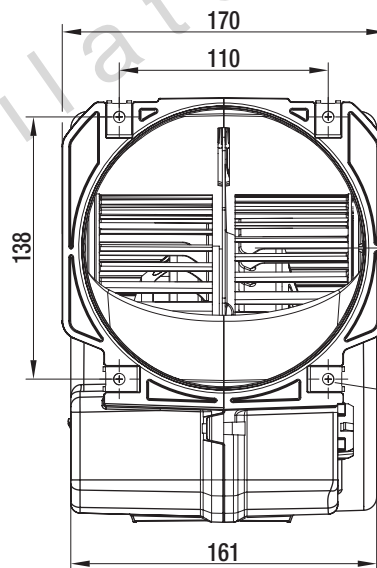
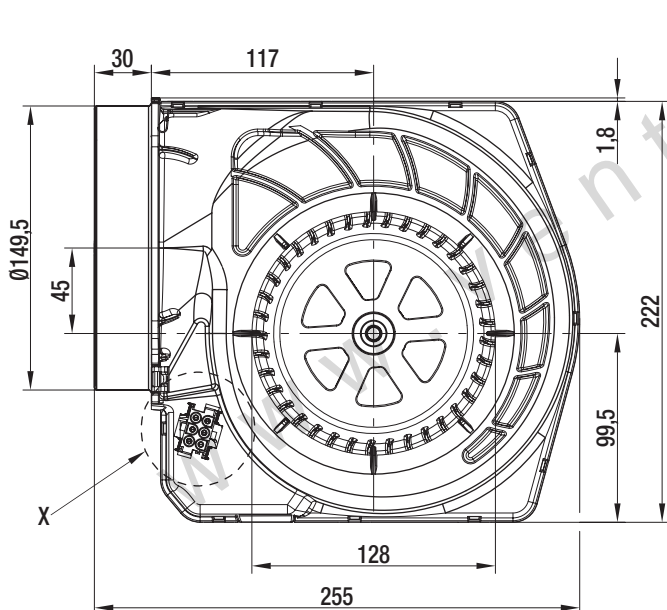
Mass of centrifugal blower

Centrifugal blower with flange

kg

D2E 146-KB27 -01

2.7

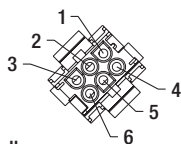


4 x sheet metal nut for thread EN ISO 1478-ST4.8 (min. screw length 14.5 mm plus thickness of mounting material)

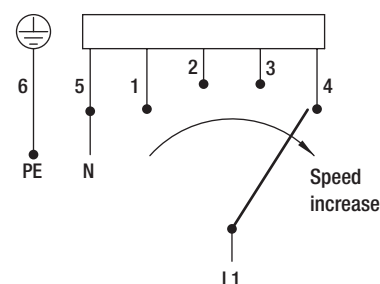
View X

AMP Universal Mate-N-Lok coded plug system
 Connector shell: AMP 926 682-3
 6 x plug pin: AMP 926 886-1

- 1 = Step 1 (min.) white
- 2 = Step 2 red
- 3 = Step 3 grey
- 4 = Step 4 (max.) black
- 5 = N blue
- 6 = Protective earth green/yellow



Electrical connection:
 When changing speeds, switch must break the circuit



AC centrifugal blowers

dual inlet, Ø 146

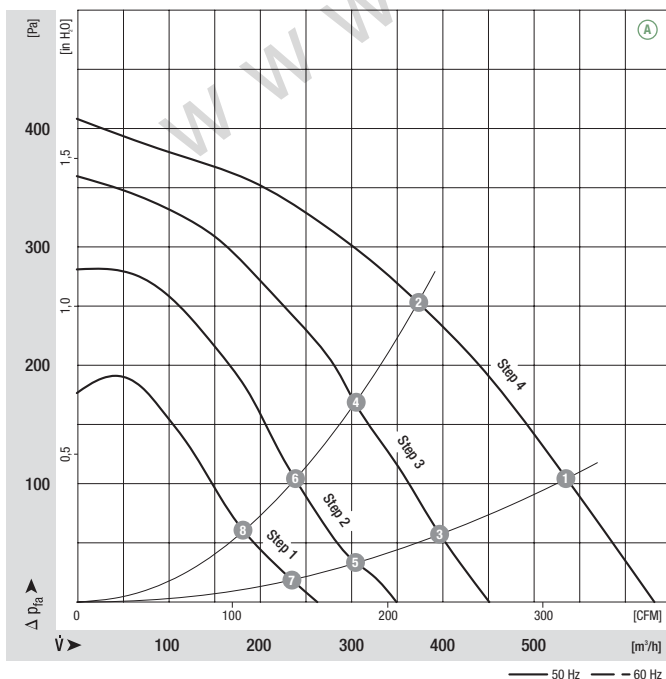


- **Material:** Housing: PP plastic, black
Impeller: PP plastic, white
Rotor: Partially cast in aluminium
Terminal box: PP plastic, black
- **Direction of rotation:** Counter-clockwise, seen on plug
- **Type of protection:** IP 20
- **Insulation class:** "F"
- **Mounting position:** Any
- **Condensate discharges:** None
- **Mode of operation:** Continuous operation (S1)
- **Design:** 4-step blower with integrated terminal box, EW motor
- **Bearings:** Maintenance-free ball bearings

Nominal data		Curve	Nominal voltage	Frequency	Air flow	Speed/rpm	Power input	Current draw	Capacitor	Sound pressure level	Min. back pressure	Perm. amb. temp.	Electr. connection
Type	Motor	VAC	Hz	m³/h	rpm	W	A	µF/VDB	dB(A)	Pa	°C		
D2E 146	M2E 068-CF	Ⓐ 1~ 230	50	630	1100	150	0.66	4.0/400	51	0	-25 to +50	—	
		1~ 230	60	415	1600	160	0.71	4.0/400	55	150	-25 to +45		

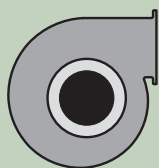
subject to alterations

Curves



	n [rpm]	P ₁ [W]	I [A]	Lp _A [dB(A)]
Ⓐ 1	1490	143	0.62	51
Ⓐ 2	2005	133	0.59	55
Ⓐ 3	1110	98	0.49	47
Ⓐ 4	1635	92	0.47	49
Ⓐ 5	890	81	0.42	37
Ⓐ 6	1315	77	0.42	43
Ⓐ 7	680	69	0.38	31
Ⓐ 8	990	67	0.37	35

- **Motor protection:** TOP wired internally
- **Connection leads:** Via plug
- **Protection class:** I
- **Capacitor:** FPU (P2) integrated in terminal box completely wired up and ready for plug-in
- **Product conforming to standards:** EN 60335-2-31, CE
- **Approvals:** VDE, CCC, GOST



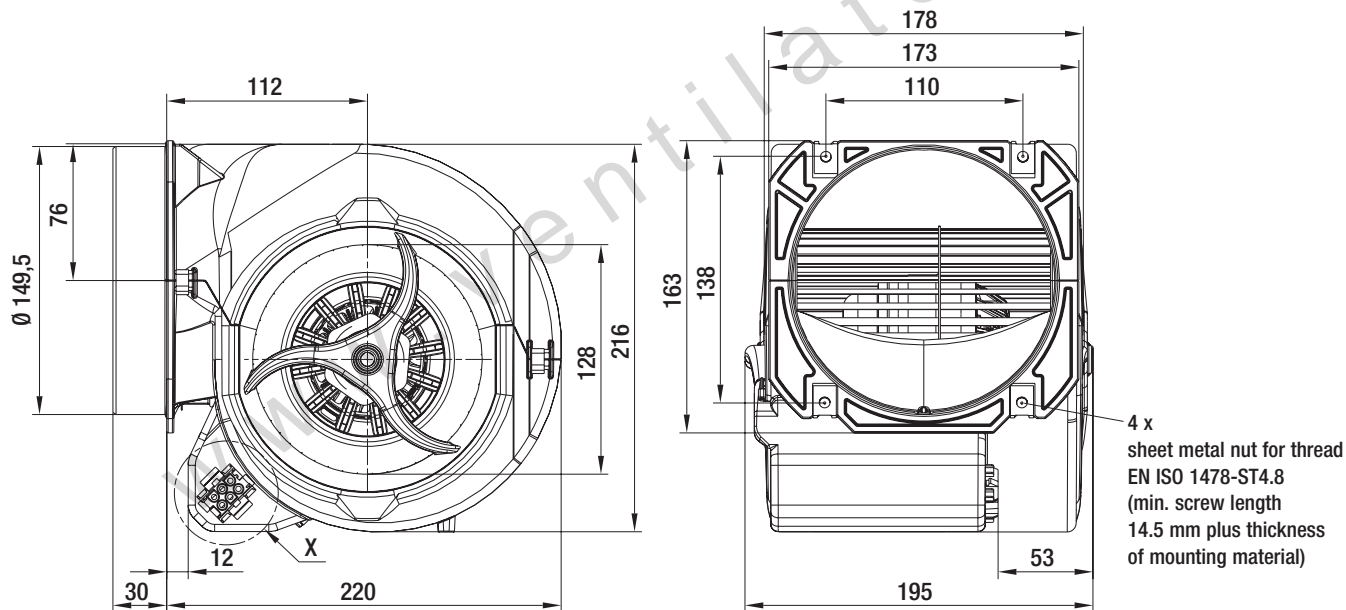
Mass of centrifugal blower

Centrifugal blower with flange

kg

D2E 146-HR93 -03

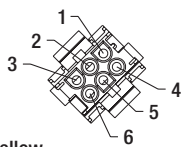
3.0



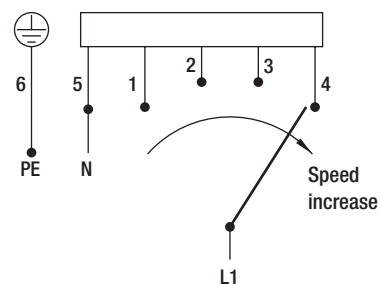
View X

AMP Universal Mate-N-Lok coded plug system
 Connector shell: AMP 926 682-3
 6 x plug pin: AMP 926 886-1

- 1 = Step 1 (min.) white
- 2 = Step 2 red
- 3 = Step 3 grey
- 4 = Step 4 (max.) black
- 5 = N blue
- 6 = Protective earth green/yellow



Electrical connection:
 When changing speeds, switch must break the circuit



AC centrifugal blowers

dual inlet, Ø 146

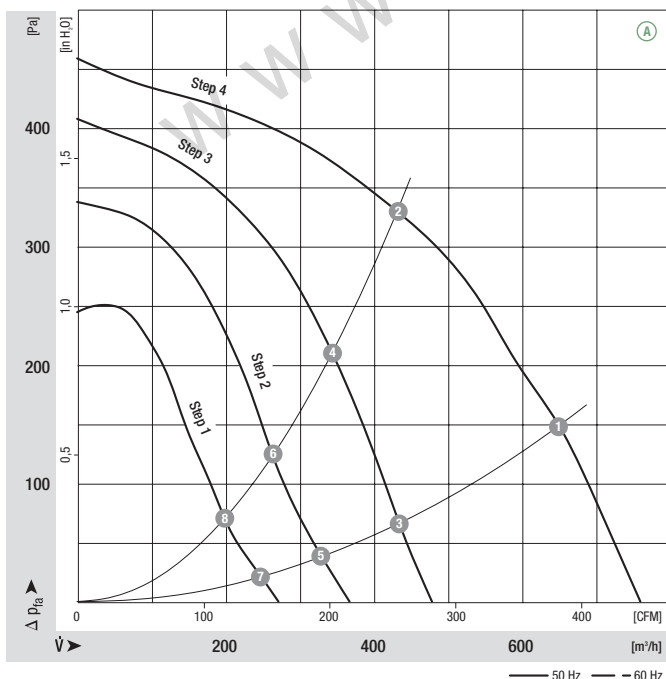


- **Material:** Housing: PP plastic, black
Impeller: PP plastic, white
Rotor: Partially cast in aluminium
Terminal box: PP plastic, black
- **Direction of rotation:** Counter-clockwise, seen on plug
- **Type of protection:** IP 20
- **Insulation class:** "F"
- **Mounting position:** Any
- **Condensate discharges:** None
- **Mode of operation:** Continuous operation (S1)
- **Design:** 4-step blower with integrated terminal box, EW motor
- **Bearings:** Maintenance-free ball bearings

Nominal data		Curve	Nominal voltage	Frequency	Air flow	Speed/rpm	Power input	Current draw	Capacitor	Sound pressure level	Min. back pressure	Perm. amb. temp.	Electr. connection
Type	Motor	VAC	Hz	m³/h	rpm	W	A	µF/VDB	dB(A)	Pa	°C		
D2E 146	M2E 068-DF	Ⓐ 1~ 230 1~ 230	50 60	755 580	1350 1750	195 215	0.86 0.94	5.0/400 5.0/400	57 54	0 150	-25 to +55 -25 to +40	—	

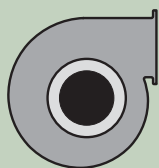
subject to alterations

Curves



	n [rpm]	P ₁ [W]	I [A]	Lp _A [dB(A)]
Ⓐ 1	1790	185	0.81	56
Ⓐ 2	2290	164	0.72	59
Ⓐ 3	1210	125	0.60	45
Ⓐ 4	1820	112	0.57	52
Ⓐ 5	910	106	0.52	38
Ⓐ 6	1415	100	0.50	45
Ⓐ 7	710	94	0.47	30
Ⓐ 8	1055	91	0.46	38

- **Motor protection:** TOP wired internally
- **Connection leads:** Via plug
- **Protection class:** I
- **Capacitor:** FPU (P2) integrated in terminal box completely wired up and ready for plug-in
- **Product conforming to standards:** EN 60335-2-31, CE
- **Approvals:** VDE, GOST



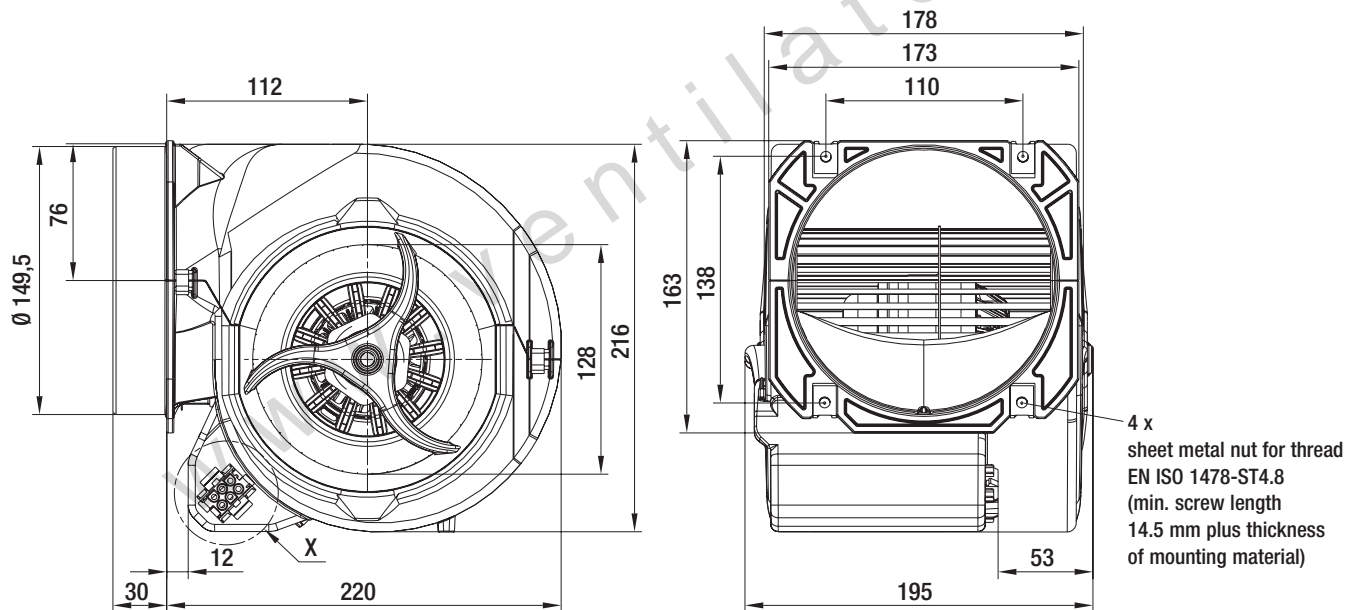
Mass of centrifugal blower

Centrifugal blower with flange

kg

D2E 146-HS97 -03

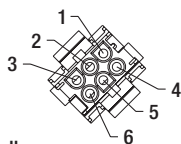
3.5



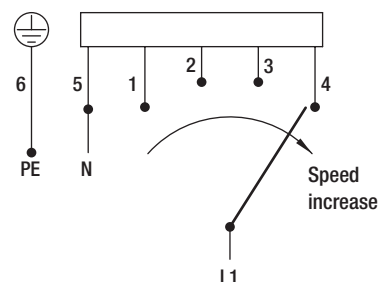
View X

AMP Universal Mate-N-Lok coded plug system
 Connector shell: AMP 926 682-3
 6 x plug pin: AMP 926 886-1

- 1 = Step 1 (min.) white
- 2 = Step 2 red
- 3 = Step 3 grey
- 4 = Step 4 (max.) black
- 5 = N blue
- 6 = Protective earth green/yellow



Electrical connection:
 When changing speeds, switch must break the circuit



AC centrifugal blowers

dual inlet, Ø 146

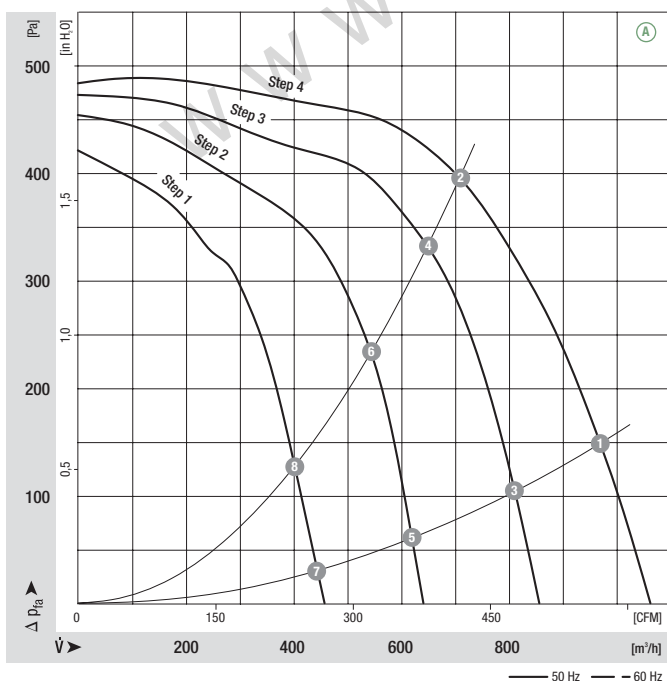


- **Material:** Housing: PP plastic, black
Impeller: Galvanised sheet steel
Rotor: Partially cast in aluminium
Terminal box: PP plastic, black
- **Direction of rotation:** Counter-clockwise, seen on plug
- **Type of protection:** IP 20
- **Insulation class:** "F"
- **Mounting position:** Any
- **Condensate discharges:** None
- **Mode of operation:** Continuous operation (S1)
- **Design:** 4-step blower with integrated terminal box, EW motor
- **Bearings:** Maintenance-free ball bearings

Nominal data		Curve	Nominal voltage	Frequency	Air flow	Speed/rpm	Power input	Current draw	Capacitor	Sound pressure level	Min. back pressure	Perm. amb. temp.	Electr. connection
Type	Motor	VAC	Hz	m³/h	rpm	W	A	µF/VDB	dB(A)	Pa	°C		
D2E 146	M2E 068-EC	Ⓐ 1~ 230	50	1060	1850	355	1.55	8.0/450	66	0	-25 to +50	—	
		Ⓐ 1~ 230	60	875	2100	400	1.75	8.0/450	63	200	-25 to +55		

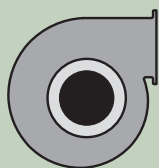
subject to alterations

Curves



	n [rpm]	P ₁ [W]	I [A]	Lp _A [dB(A)]
Ⓐ 1	2075	328	1.42	66
Ⓐ 2	2430	269	1.17	61
Ⓐ 3	1770	268	1.20	61
Ⓐ 4	2230	222	1.04	62
Ⓐ 5	1375	225	1.03	54
Ⓐ 6	1885	197	0.94	57
Ⓐ 7	1000	192	0.88	45
Ⓐ 8	1415	180	0.84	49

- **Motor protection:** TOP wired internally
- **Connection leads:** Via plug
- **Protection class:** I
- **Capacitor:** FPU (P2) integrated in terminal box completely wired up and ready for plug-in
- **Product conforming to standards:** EN 60335-2-31, CE
- **Approvals:** VDE



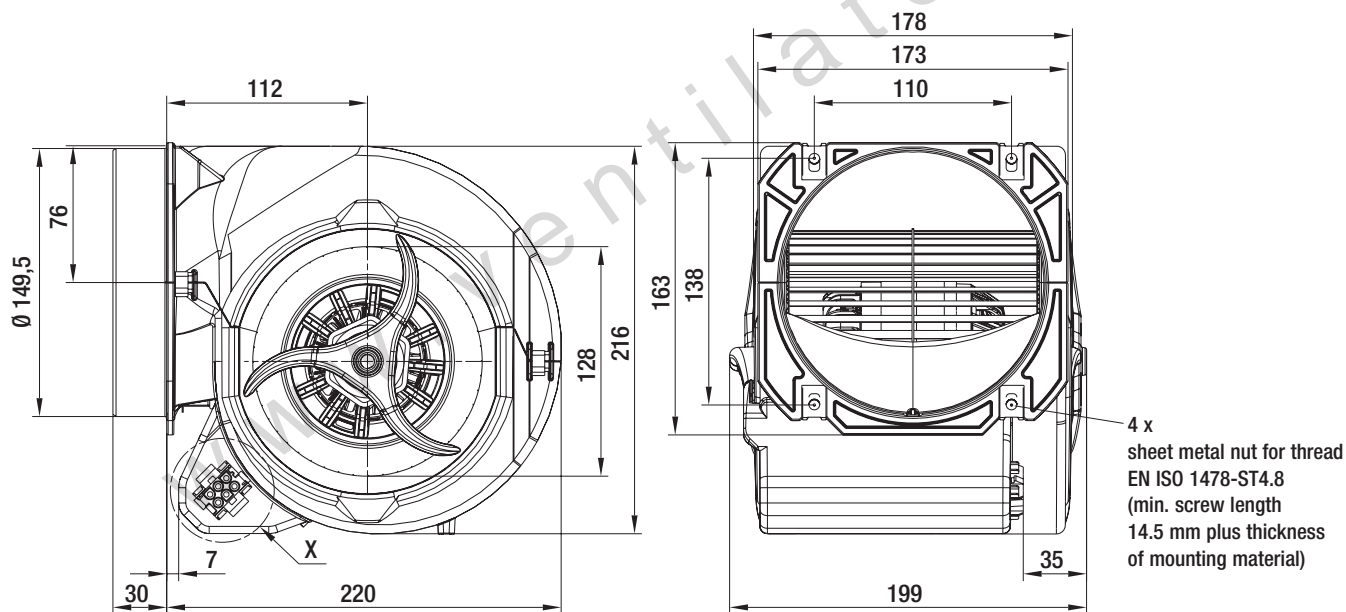
Mass of centrifugal blower

Centrifugal blower with flange

kg

D2E 146-HT67 -02

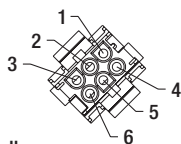
3.6



View X

AMP Universal Mate-N-Lok coded plug system
 Connector shell: AMP 926 682-3
 6 x plug pin: AMP 926 886-1

- 1 = Step 1 (min.) white
- 2 = Step 2 red
- 3 = Step 3 grey
- 4 = Step 4 (max.) black
- 5 = N blue
- 6 = Protective earth green/yellow



Electrical connection:
 When changing speeds, switch must break the circuit

