

AC centrifugal blowers

dual inlet, Ø 146

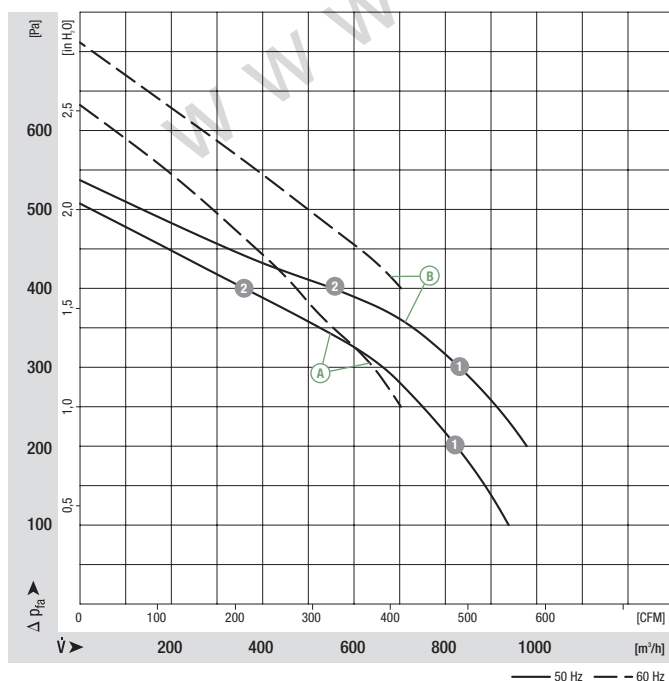


- **Material:** Housing: Galvanised sheet steel
Impeller: Galvanised sheet steel
Rotor: Partially cast in aluminium
- **Direction of rotation:** Counter-clockwise, seen on rotor
- **Type of protection:** IP 44
- **Insulation class:** "B"
- **Mounting position:** Any
- **Condensate discharges:** None
- **Mode of operation:** Continuous operation (S1)
- **Design:** Standard external-rotor motor mounted via brackets on one side
- **Bearings:** Maintenance-free ball bearings

Nominal data		Curve	Nominal voltage	Frequency	Air flow	Speed/rpm	Power input	Current draw	Capacitor	Sound pressure level	Min. back pressure	Perm. amb. temp.	Electr. connection
Type	Motor	VAC	Hz	m³/h	rpm	W	A	µF/VDB	dB(A)	Pa	°C	p. 596 f.	
D2E 146	M2E 068-EC	A	1~ 230	50	935	1650	245	1.08	6.0/400	60	100	-25 to +40	A1)
			1~ 230	60	690	2100	270	1.20	6.0/400	62	250	-25 to +40	
D2E 146	M2E 068-EC	B	1~ 230	50	970	2050	300	1.31	8.0/400	63	200	-25 to +40	A1)
			1~ 230	60	690	2550	330	1.45	8.0/400	68	400	-25 to +35	

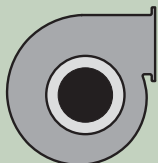
subject to alterations

Curves



	n [rpm]	P ₁ [W]	I [A]
A 1	1935	230	1.02
A 2	2560	167	0.74
B 1	2300	262	1.15
B 2	2600	206	0.91

- **Motor protection:** TOP wired internally
- **Cable exit:** Variable
- **Protection class:** I
- **Product conforming to standards:** EN 60335-1, CE
- **Approvals:** CCC, GOST



Mass of centrifugal blower

Centrifugal blower without flange

Centrifugal blower with flange

kg

D2E 146-AP43 -02

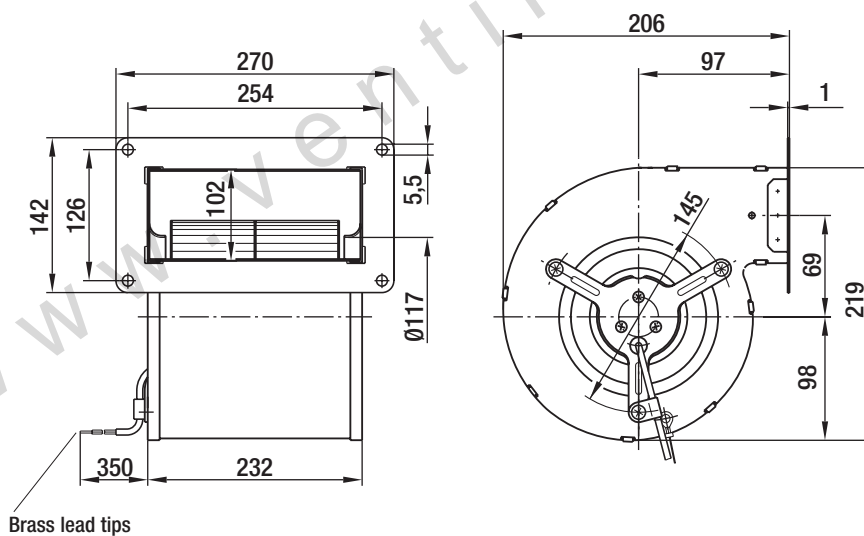
D2E 146-AP43 -22

4.2

D2E 146-AP47 -02

D2E 146-AP47 -22

4.2



AC centrifugal blowers

dual inlet, Ø 146



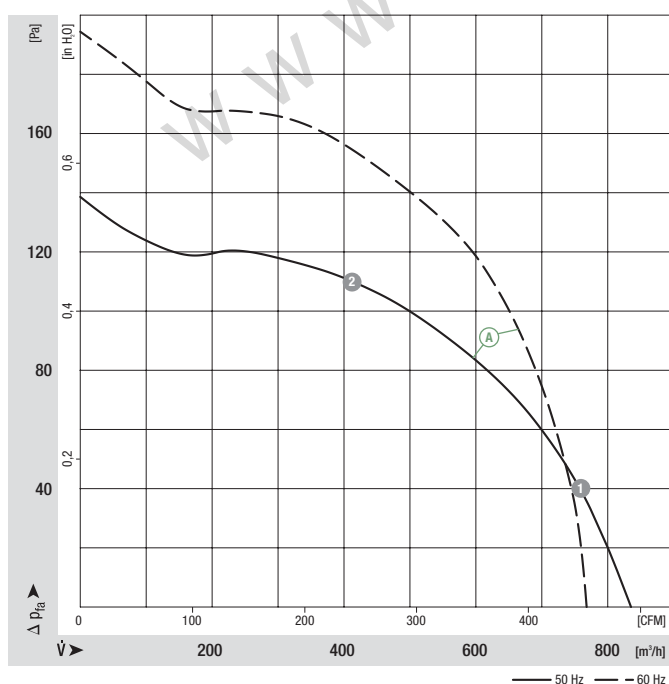
- **Material:** Housing: Galvanised sheet steel
Impeller: Galvanised sheet steel
Rotor: Partially cast in aluminium
- **Direction of rotation:** Counter-clockwise, seen on rotor
- **Type of protection:** IP 44
- **Insulation class:** "B"
- **Mounting position:** Any
- **Condensate discharges:** None
- **Mode of operation:** Continuous operation (S1)
- **Design:** Standard external-rotor motor mounted via brackets on one side
- **Bearings:** Maintenance-free ball bearings

Nominal data

Type	Motor	Curve	Nominal voltage VAC	Frequency Hz	Air flow m³/h	Speed/rpm	Power input W	Current draw A	Capacitor µF/VDB	Sound pressure level dB(A)	Min. back pressure Pa	Perm. amb. temp. °C	Electr. connection p. 596 f.
D4E 146	M4E 068-CF	Ⓐ	1~ 230 1~ 230	50 60	835 765	1000 950	100 116	0.44 0.51	2.0/450 2.0/450	55 53	0 0	-25 to +50 -25 to +50	A1)

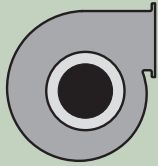
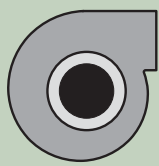
subject to alterations

Curves



	n [rpm]	P ₁ [W]	I [A]
Ⓐ 1	1180	88	0.39
Ⓐ 2	1390	65	0.29

- **Motor protection:** TOP wired internally
- **Cable exit:** Variable
- **Protection class:** I
- **Product conforming to standards:** EN 60335-1, CE
- **Approvals:** CCC



Mass of centrifugal blower

Centrifugal blower without flange

Centrifugal blower with flange

kg

D4E 146-AA07 -02

D4E 146-AA07 -22

3.5

