

# AC centrifugal blowers

dual inlet, Ø 133

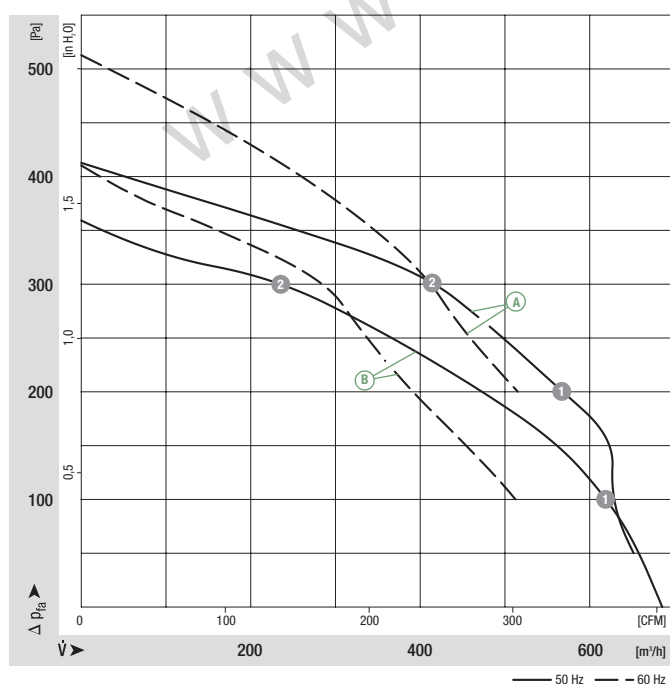


- **Material:** Housing: Galvanised sheet steel  
Impeller: Galvanised sheet steel  
Rotor: Partially cast in aluminium
- **Direction of rotation:** (A) Counter-clockwise, (B) clockwise seen on rotor
- **Type of protection:** IP 44
- **Insulation class:** "B"
- **Mounting position:** Any
- **Condensate discharges:** None
- **Mode of operation:** Continuous operation (S1)
- **Design:** Standard external-rotor motor mounted via brackets on one side
- **Bearings:** Maintenance-free ball bearings

Nominal data		Curve	Nominal voltage	Frequency	Air flow	Speed/rpm	Power input	Current draw	Capacitor	Sound pressure level	Min. back pressure	Perm. amb. temp.	Electr. connection
Type	Motor	VAC	Hz	m³/h	rpm	W	A	µF/VDB	dB(A)	Pa	°C	p. 596 f.	
D2E 133	M2E 068-CF	(A) 1~ 230	50	700	1700	175	0.77	4.0/400	58	50	-25 to +40	A1)	
		1~ 230	60	500	2100	190	0.84	4.0/400	58	200	-25 to +40		
D2E 133	M2E 068-DF	(B) 1~ 230	50	685	1500	190	0.84	3.0/450	59	0	-25 to +45	A1)	
		1~ 230	60	510	1800	200	0.88	3.0/450	56	100	-25 to +40		

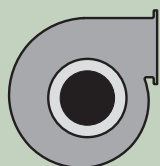
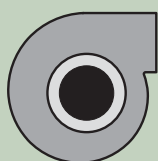
subject to alterations

## Curves



	n [rpm]	P <sub>1</sub> [W]	I [A]
(A) 1	2135	160	0.70
(A) 2	2450	138	0.61
(B) 1	1885	180	0.80
(B) 2	2640	130	0.58

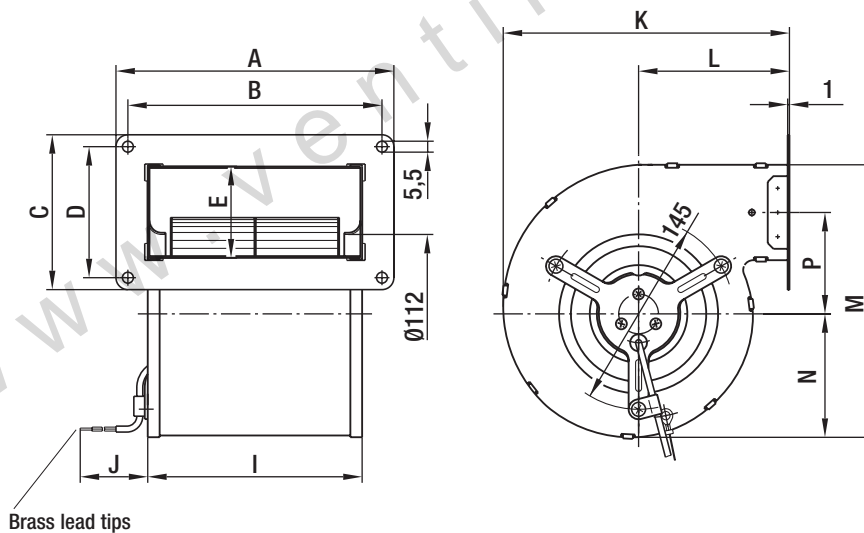
- **Motor protection:** TOP wired internally
- **Cable exit:** Variable
- **Protection class:** I
- **Product conforming to standards:** EN 60335-1, CE
- **Approvals:** CCC,  also GOST



Mass of centrifugal blower

**Dimensions**

Centrifugal blower without flange	Centrifugal blower with flange	kg	A	B	C	D	E	I	J	K	L	M	N	P
D2E 133-CI33 -56	D2E 133-CI33 -22	3.3	206.0	190.0	142.0	126.0	102.0	168.0	400.0	204.0	97.0	213.0	93.5	67.5
D2E 133-AM47-01	D2E 133-AM47-23	3.5	254.0	238.0	108.0	92.0	69.0	215.0	300.0	171.5	88.0	180.0	79.0	66.0



# AC centrifugal blowers

dual inlet, Ø 133

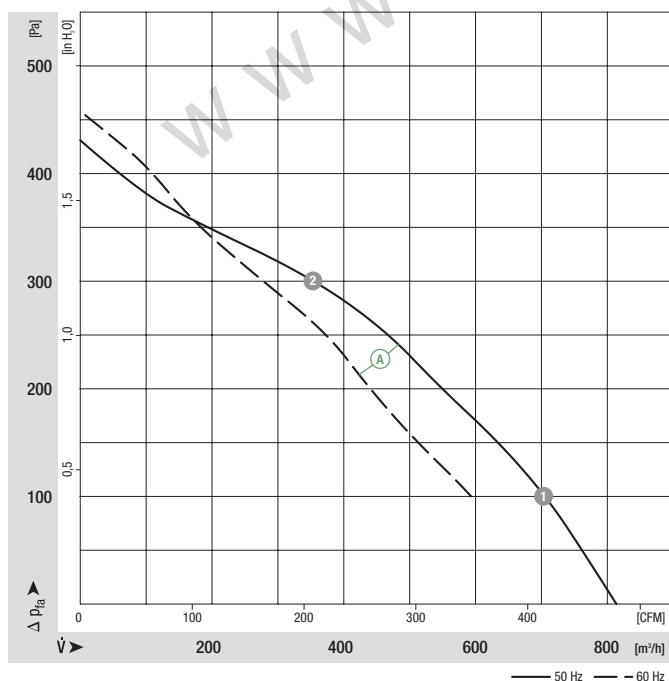


- **Material:** Housing: Galvanised sheet steel  
Impeller: Galvanised sheet steel  
Rotor: Partially cast in aluminium
- **Direction of rotation:** Clockwise, seen on rotor
- **Type of protection:** IP 44
- **Insulation class:** "B"
- **Mounting position:** Any
- **Condensate discharges:** None
- **Mode of operation:** Continuous operation (S1)
- **Design:** Standard external-rotor motor mounted via brackets on one side
- **Bearings:** Maintenance-free ball bearings

Nominal data		Curve	Nominal voltage	Frequency	Air flow	Speed/rpm	Power input	Current draw	Capacitor	Sound pressure level	Min. back pressure	Perm. amb. temp.	Electr. connection
Type	Motor	VAC	Hz	m³/h	rpm	W	A	µF/VDB	dB(A)	Pa	°C	p. 596 f.	
D2E 133	M2E 068-DF	Ⓐ 1~ 230	50	810	1150	190	0.84	3.0/450	56	0	-25 to +40	A1)	
		1~ 230	60	600	1550	195	0.85	3.0/450	55	100	-25 to +40		

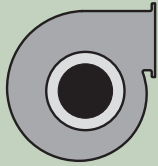
subject to alterations

## Curves



	n [rpm]	P <sub>1</sub> [W]	I [A]
Ⓐ 1	1700	180	0.80
Ⓐ 2	2480	138	0.61

- **Motor protection:** TOP wired internally
- **Cable exit:** Variable
- **Protection class:** I
- **Product conforming to standards:** EN 60335-1, CE
- **Approvals:** CCC



Mass of centrifugal blower

Centrifugal blower without flange

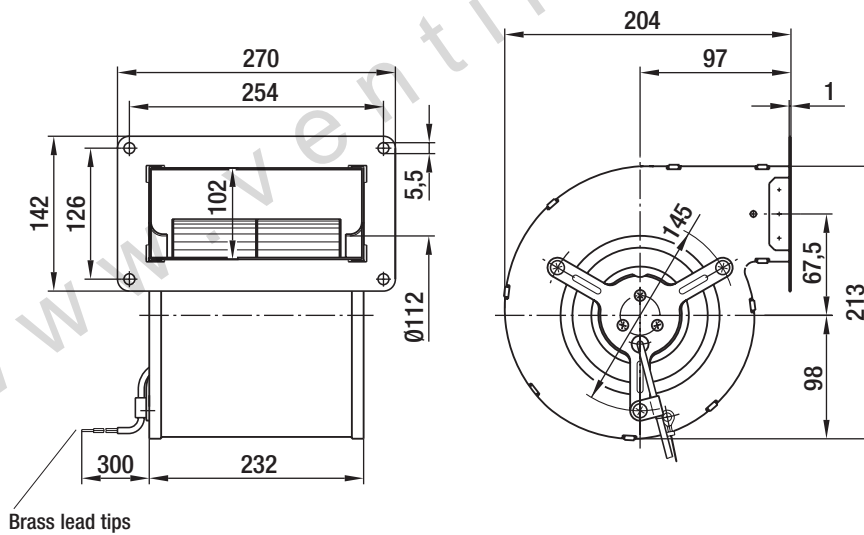
Centrifugal blower with flange

kg

D2E 133-DM47-01

D2E 133-DM47-23

4.4



# AC centrifugal blowers

dual inlet, Ø 133



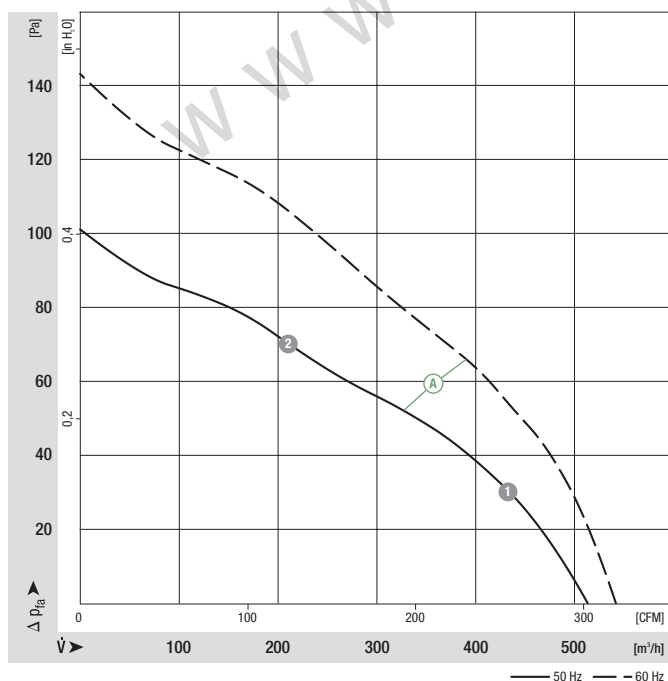
- **Material:** Housing: Galvanised sheet steel  
Impeller: PA plastic  
Rotor: Partially cast in aluminium
- **Direction of rotation:** Clockwise, seen on rotor
- **Type of protection:** IP 44
- **Insulation class:** "B"
- **Mounting position:** Any
- **Condensate discharges:** None
- **Mode of operation:** Continuous operation (S1)
- **Design:** Standard external-rotor motor mounted via brackets on one side
- **Bearings:** Maintenance-free ball bearings

## Nominal data

Type	Motor	Curve	Nominal voltage VAC	Frequency Hz	Air flow m³/h	Speed/rpm	Power input W	Current draw A	Capacitor µF/VDB	Sound pressure level dB(A)	Min. back pressure Pa	Perm. amb. temp. °C	Electr. connection p. 596 f.
D4E 133	M4E 068-BF	Ⓐ	1~ 230 1~ 230	50 60	510 540	1180 1240	70 80	0.32 0.35	2.0/400 2.0/400	52 54	0 0	-25 to +40 -25 to +40	A1)

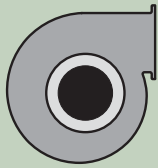
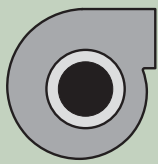
subject to alterations

## Curves



	n [rpm]	P <sub>1</sub> [W]	I [A]
Ⓐ 1	1240	66	0.30
Ⓐ 2	1380	63	0.29

- **Motor protection:** TOP wired internally
- **Cable exit:** Variable
- **Protection class:** I
- **Product conforming to standards:** EN 60335-1, CE
- **Approvals:** CCC



Mass of centrifugal blower

Centrifugal blower without flange

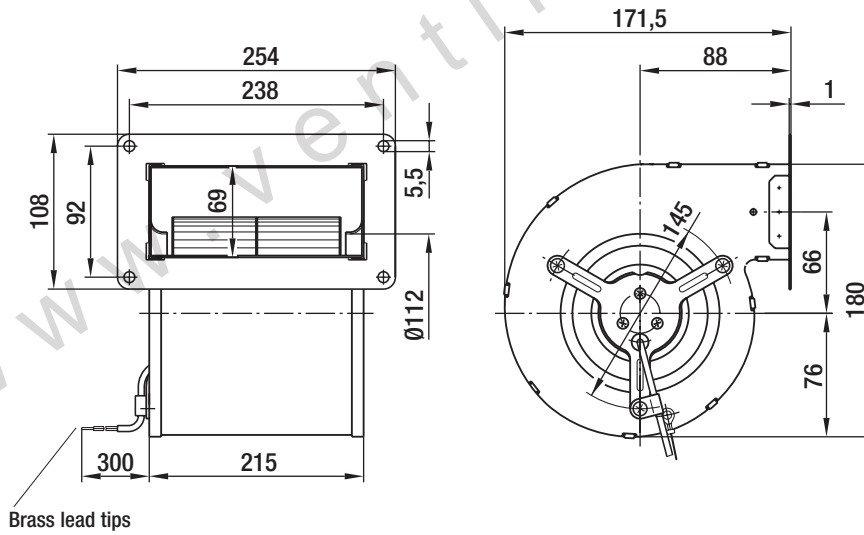
Centrifugal blower with flange

kg

D4E 133-AH01 -55

D4E 133-AH01 -58

2.6



# AC centrifugal blowers

dual inlet, Ø 133

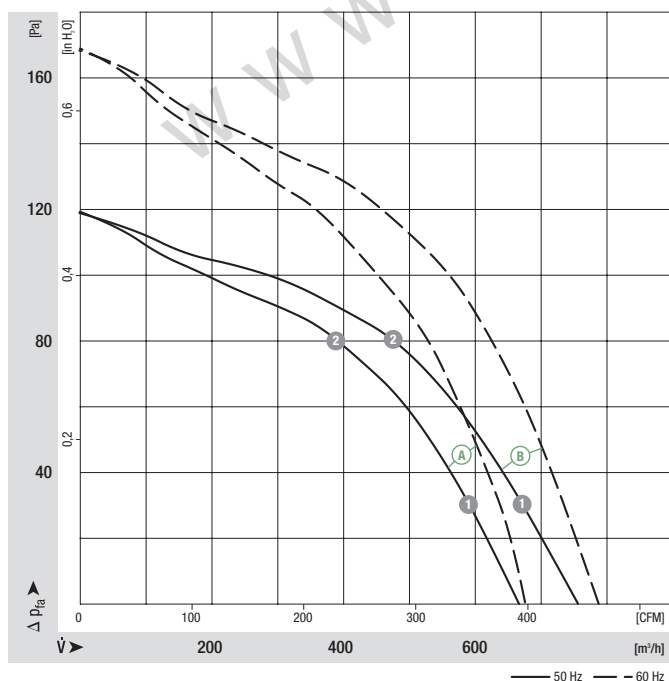


- **Material:** Housing: Galvanised sheet steel  
Impeller: PA plastic  
Rotor: Partially cast in aluminium
- **Direction of rotation:** Clockwise, seen on rotor
- **Type of protection:** IP 44
- **Insulation class:** "B"
- **Mounting position:** Any
- **Condensate discharges:** None
- **Mode of operation:** Continuous operation (S1)
- **Design:** Standard external-rotor motor mounted via brackets on one side
- **Bearings:** Maintenance-free ball bearings

Nominal data		Curve	Nominal voltage	Frequency	Air flow	Speed/rpm	Power input	Current draw	Capacitor	Sound pressure level	Min. back pressure	Perm. amb. temp.	Electr. connection
Type	Motor	VAC	Hz	m³/h	rpm	W	A	µF/VDB	dB(A)	Pa	°C	p. 596 f.	
D4E 133	M4E 068-BF	A	1~ 230	50	670	1080	73	0.33	2.0/400	52	0	-25 to +40	A1)
			1~ 230	60	675	1100	83	0.37	2.0/400	52	0	-25 to +40	
D4E 133	M4E 068-CF	B	1~ 230	50	760	1230	75	0.34	2.0/450	55	0	-25 to +70	A1)
			1~ 230	60	790	1280	95	0.43	2.0/450	56	0	-25 to +60	

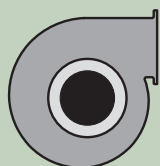
subject to alterations

## Curves



	n [rpm]	P <sub>1</sub> [W]	I [A]
A 1	1150	69	0.31
A 2	1300	65	0.30
B 1	1280	67	0.30
B 2	1370	58	0.27

- **Motor protection:** TOP wired internally
- **Cable exit:** Variable
- **Protection class:** I
- **Product conforming to standards:** EN 60335-1, CE



Mass of centrifugal blower

Centrifugal blower without flange

Centrifugal blower with flange

kg

D4E 133-DH01 -J2

D4E 133-DH01 -J4

3.3

D4E 133-DL01 -H9

D4E 133-DL01 -J5

3.8

