

# EC axial fans "low pressure"

Ø 560 - Ø 1250

## - Material:

Carrying ring: Steel, galvanized and coated in black plastic (RAL 9005)

Wall ring: Sheet steel, galvanized and coated in black plastic (RAL 9005)

Blades: (B) (D) (E) (5) Painted press-fitted sheet steel blank, over-molded with PP plastic

(A) (C) (F) (5) Painted aluminium insert, over-molded with PP plastic

(G) (H) (3) Die-cast aluminium, painted black

Rotor: Painted black

Electronics housing: Die-cast aluminium, painted black

- **Direction of rotation:** (A) (B) (C) clockwise, (D) (E) (F) (G) (H) counter-clockwise viewed toward rotor

- **Degree of protection:** (A) (B) (C) (D) (E) IP 54, (F) (G) (H) IP 55

- **Insulation class:** (A) (B) (C) (D) (E) "B" ("F" applying to the main components as per EN)  
(F) (G) (H) "F"

- **Installation position:** Shaft horizontal or rotor on top; rotor on bottom on request



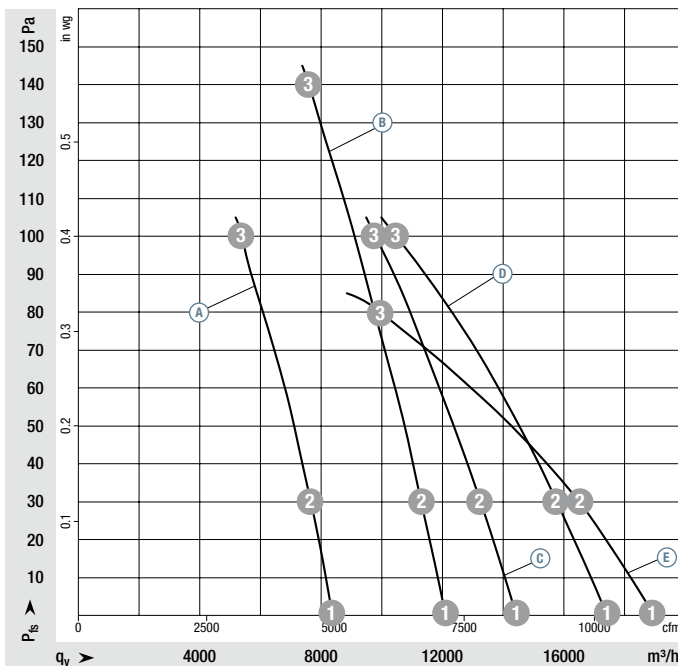
## Nominal data

Type	Motor	Blade pitch	Curve	Nominal voltage range	Frequency	Speed <sup>(1)</sup>	Max. input power <sup>(1)</sup>	Max. input current <sup>(1)</sup>	Max. back pressure	Perm. ambient temp.	Weight without attachments	Techn. features and connection diagram
Type	Motor			VAC	Hz	rpm	kW	A	Pa	°C	kg	
*3G 560	M3G 112-EA	-5°	(A)	1~200-277	50/60	1000	0,40	1,80	100	-25..+60	7,2	P. 35 / P2)
*3G 630	M3G 112-GA	-5°	(B)	1~200-277	50/60	1000	0,72	3,20	140	-25..+60	9,3	P. 35 / P2)
*3G 710	M3G 112-IA	0°	(C)	1~200-277	50/60	830	0,70	3,10	100	-25..+60	12,0	P. 35 / P2)
*3G 800	M3G 112-IA	0°	(D)	1~200-277	50/60	710	0,73	3,20	100	-25..+60	12,1	P. 35 / P2)
*3G 910	M3G 112-IA	0°	(E)	1~200-277	50/60	590	0,58	2,60	80	-25..+60	12,2	P. 35 / P2)
*3G 990	M3G 150-FF	-5°	(F)	1~200-277	50/60	820	1,39	6,10	70	-25..+60	22,8	P. 36 / L9)
*3G Z50	M3G 150-NA	0°	(G)	1~200-277	50/60	520	1,50	6,50	75	-25..+60	36,0	P. 36 / L9)
*3G Z50	M3G 150-NA	0°	(H)	3~380-480	50/60	570	1,78	2,70	75	-25..+65	36,0	P. 34 / L5)

Subject to change

(1) Nominal data at operating point with maximum load and 230 or 400 VAC.

## Curves:



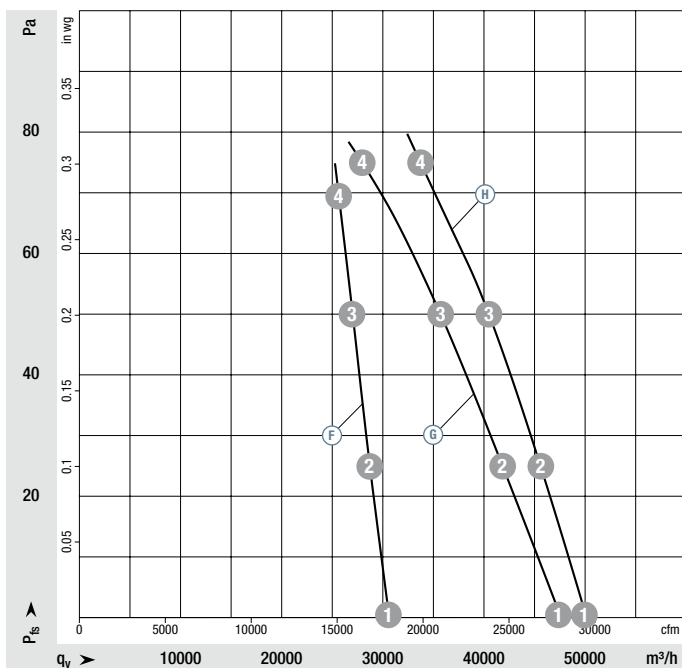
	n rpm	P <sub>ed</sub> kW	I A	L <sub>wA</sub> dB(A)	SFP W/(1000m³/h)
(A) 1	1000	2,93	1,29	67	35,1
(A) 2	1000	3,31	1,46	66	43,3
(A) 3	1000	4,00	1,80	69	74,1
(B) 1	1000	4,62	2,11	71	38,2
(B) 2	1000	5,18	2,36	69	45,9
(B) 3	1000	7,20	3,20	71	94,8
(C) 1	830	4,48	2,10	69	31,1
(C) 2	830	5,25	2,41	68	39,6
(C) 3	830	7,00	3,10	73	71,5
(D) 1	710	4,62	2,15	70	26,5
(D) 2	710	5,41	2,49	67	34,3
(D) 3	710	7,30	3,20	69	69,6
(E) 1	590	3,46	1,64	67	18,2
(E) 2	590	4,45	2,07	65	27,0
(E) 3	590	5,80	2,60	71	58,5

Air performance measured according to: ISO 5801, installation category A, in ebm-papst full nozzle without contact protection. Intake-side sound level: L<sub>wA</sub> according to ISO 13347, L<sub>pA</sub> measured at 1 m distance from fan axis. The values given are only applicable under the specified measuring conditions and may differ depending on the installation conditions. In the event of deviation from the standard configuration, the parameters must be checked in installed condition. See Page 38 ff for detailed information.

- **Technical features:** See connection diagram P. 34 ff.
- **EMC:** (H) Interference emission according to EN 61000-6-4  
(H) Immunity to interference according to EN 61000-6-2
- **Touch current:**  $\leq 3,5$  mA according to IEC 60990 (measuring circuit Fig. 4)
- **Terminal box:** Electrical connection via terminal strip
- **Protection class:** I (with customer connection of protective earth)
- **Conformity with standards:** CE
- **Approvals:**  
(A) (B) (C) (D) (E) CCC; EAC is planned; UL, CSA, VDE on request  
(F) (G) (H) EAC, cURus
- **Condensation drainage holes:** Stator side
- **Mode:** Continuous operation (S1)
- **Mounting:** Maintenance-free ball bearings
- **Efficiency:** Ecodesign EU regulation EU 327/2011

Air flow direction	Weight without attachments		Weight with square / round full nozzle	
	without attachments	kg	with square <sup>(2)</sup> / round <sup>(3)</sup> full nozzle	kg
"A" >	A3G 560-AP68 -35	7,2	W3G 560-DP68 -35 <sup>(2)</sup>	18,9
"A" >	A3G 630-AQ37 -35	9,3	W3G 630-DQ37 -35 <sup>(2)</sup>	24,3
"A" >	A3G 710-AO85 -35	12,0	W3G 710-DO85 -35 <sup>(2)</sup>	26,9
"A" >	A3G 800-AO81 -35	12,1	W3G 800-DO81 -35 <sup>(2)</sup>	33,3
"A" >	A3G 910-AO84 -35	12,2	W3G 910-DO84 -35 <sup>(2)</sup>	37,0
"A" >	A3G 990-AW30 -55	22,8	W3G 990-DW30 -55 <sup>(2)</sup>	52,7
"A" >	A3G Z50-AK07 -55	36,0	W3G Z50-CK07 -55 <sup>(3)</sup>	80,0
"A" >	A3G Z50-AK15 -35	36,0	W3G Z50-CK15 -35 <sup>(3)</sup>	80,0

Curves:



Air performance measured according to: ISO 5801, installation category A, in ebm-papst full nozzle without contact protection. Intake-side sound level: L<sub>wA</sub> according to ISO 13347, L<sub>pA</sub> measured at 1 m distance from fan axis. The values given are only applicable under the specified measuring conditions and may differ depending on the installation conditions. In the event of deviation from the standard configuration, the parameters must be checked in installed condition. See Page 38 ff for detailed information.

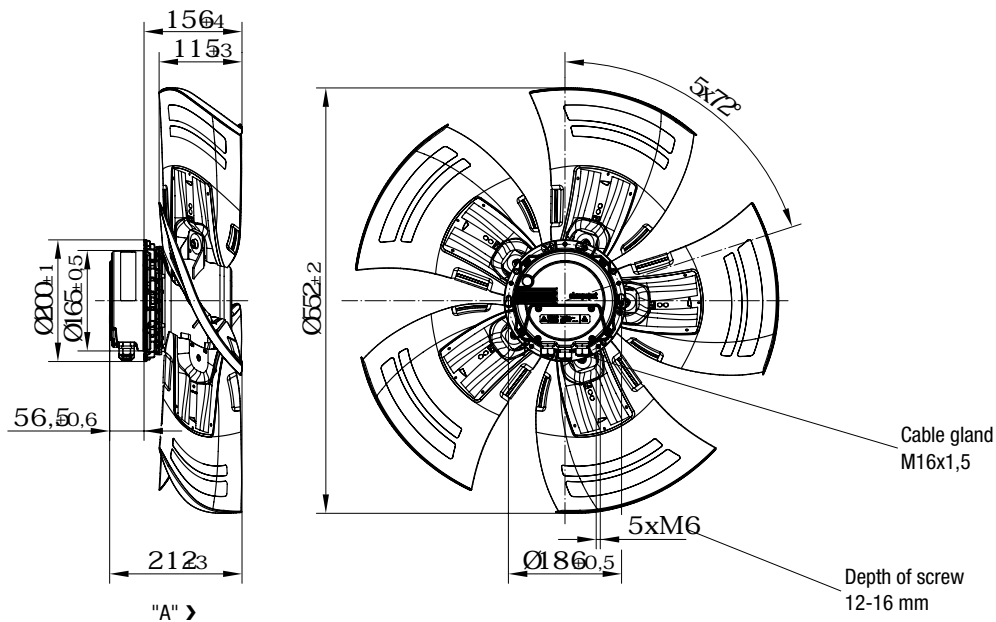
	n rpm	P <sub>ed</sub> kW	I A	L <sub>wA</sub> dB(A)	SFP W/(1000m <sup>3</sup> /h)
(F) 1	820	0,99	4,34	81	32,4
(F) 2	820	1,15	5,01	80	40,2
(F) 3	820	1,29	5,69	79	47,9
(F) 4	820	1,39	6,10	79	54,4
(G) 1	580	1,50	6,50	72	31,9
(G) 2	560	1,50	6,50	72	35,7
(G) 3	540	1,50	6,50	73	42,3
(G) 4	520	1,50	6,50	74	54,5
(H) 1	605	1,67	2,55	65	33,4
(H) 2	595	1,74	2,65	65	38,2
(H) 3	585	1,78	2,70	65	43,9
(H) 4	570	1,78	2,70	66	52,4

# EC axial fans "low pressure"

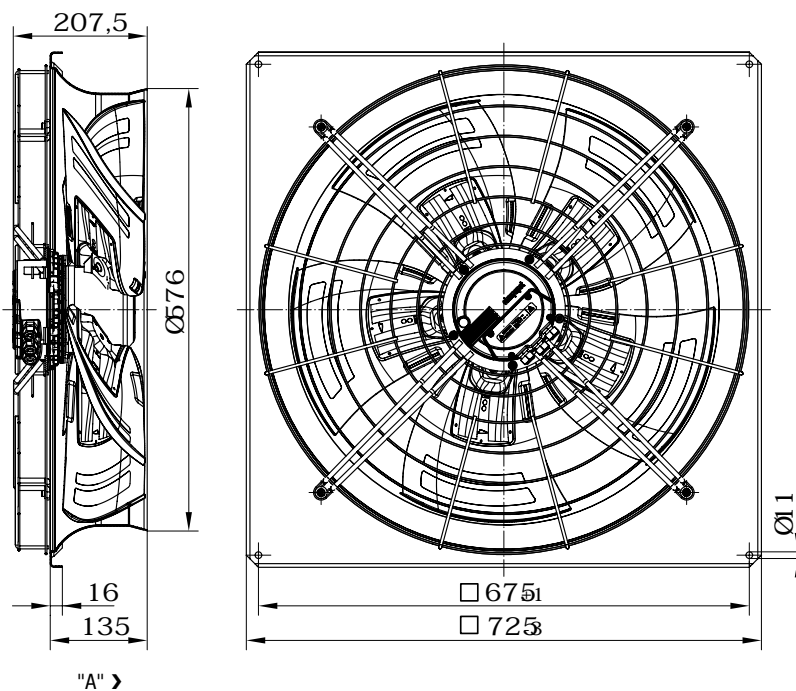
Ø 560 with motor M3G112, drawings for direction of air flow "A"



## A3G 560-AP68-35 (Without attachments)



## W3G 560-DP68-35 (With full square nozzle)

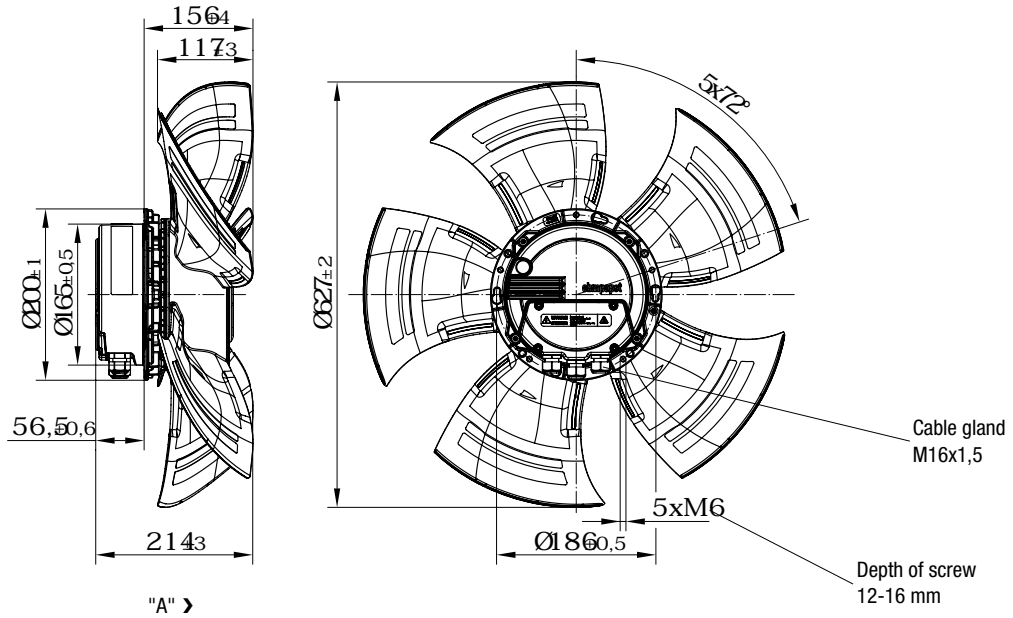


# EC axial fans "low pressure"

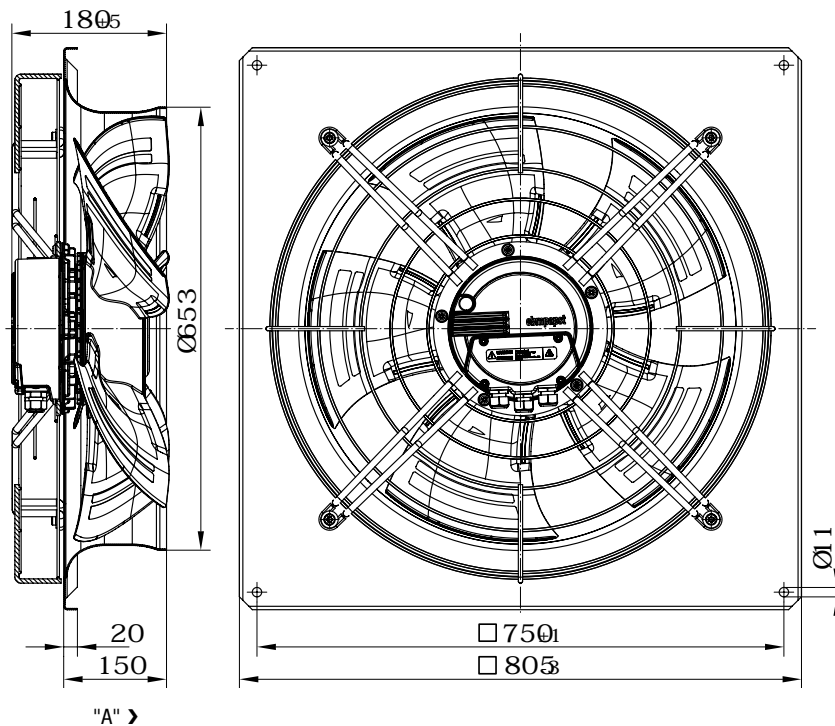
Ø 630 with motor M3G112, drawings for direction of air flow "A"



A3G 630-AQ37-35 (Without attachments)



W3G 630-DQ37-35 (With full square nozzle)

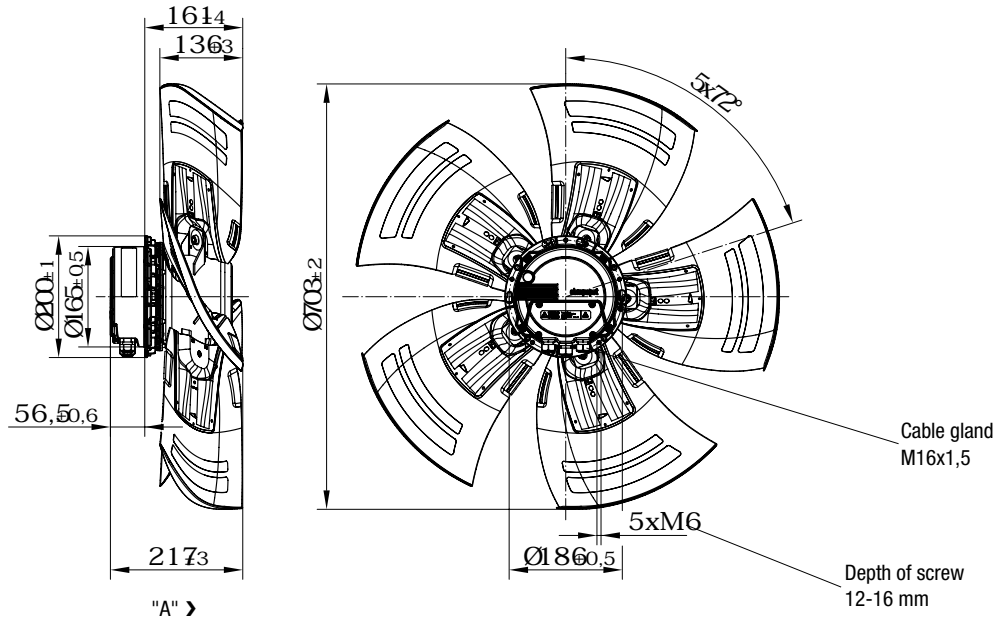


# EC axial fans "low pressure"

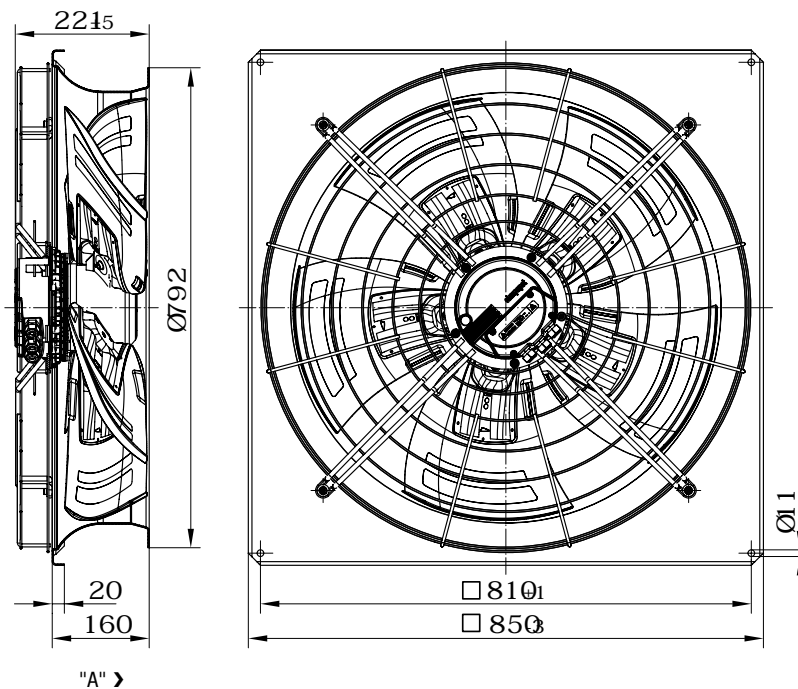
Ø 710 with motor M3G112, drawings for direction of air flow "A"



## A3G 710-A085-35 (Without attachments)



## W3G 710-D085-35 (With full square nozzle)

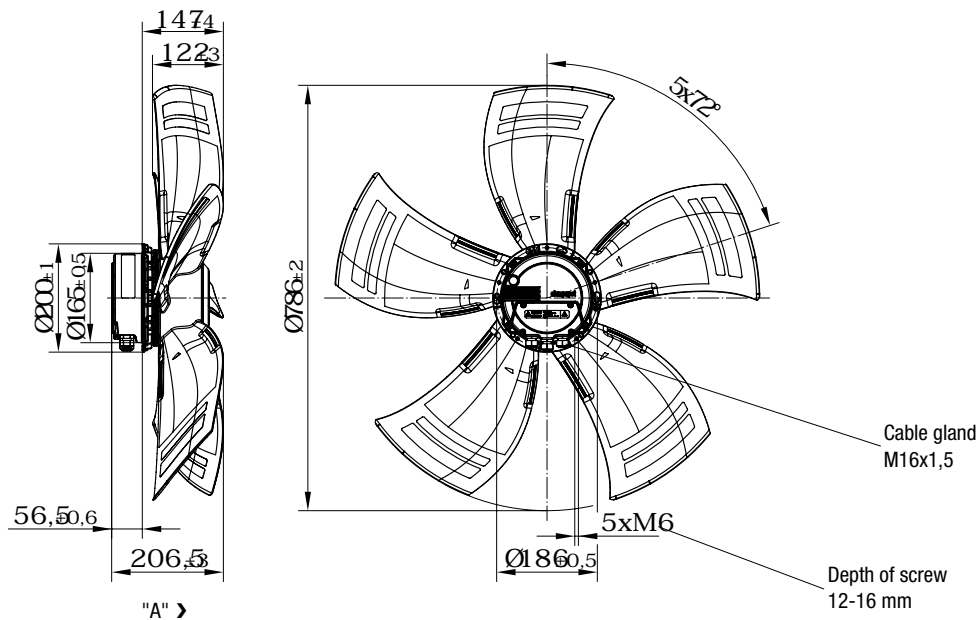


# EC axial fans "low pressure"

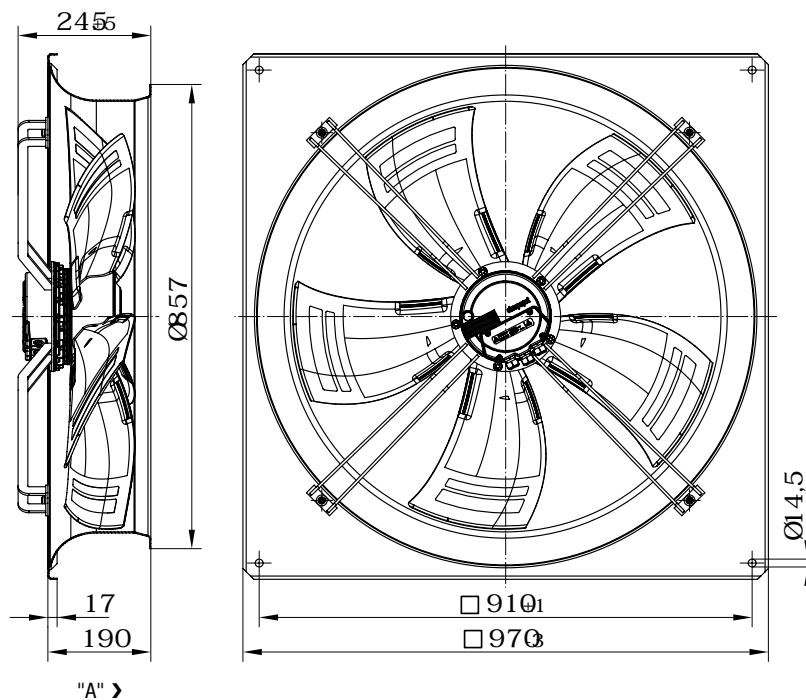
Ø 800 with motor M3G112, drawings for direction of air flow "A"



A3G 800-A081-35 (Without attachments)



W3G 800-D081-35 (With full square nozzle)

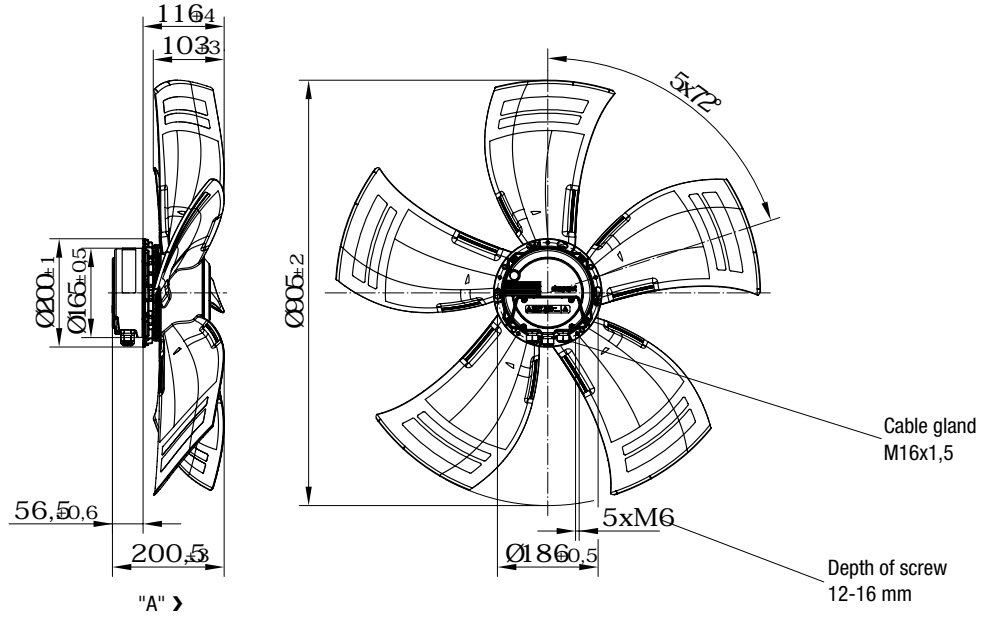


# EC axial fans "low pressure"

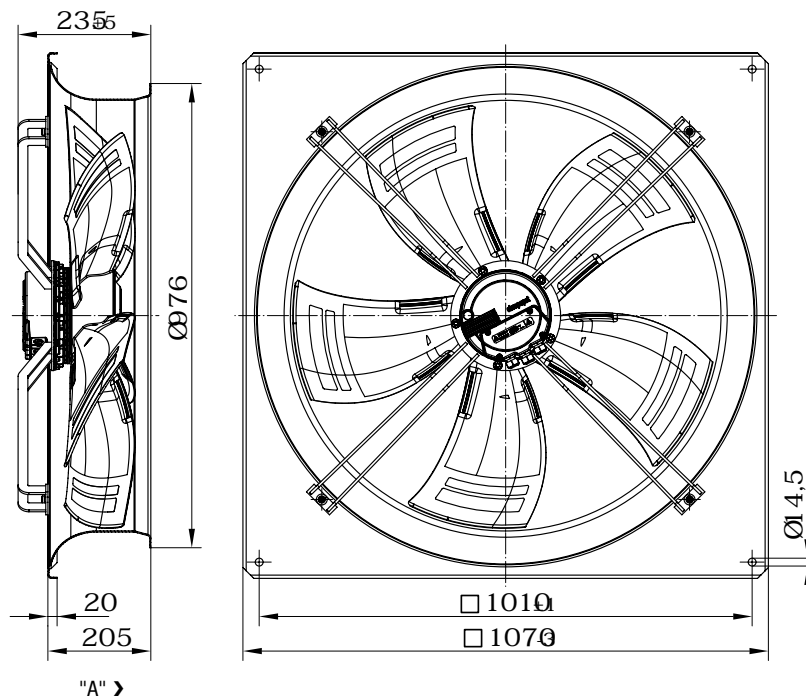
Ø 910 with motor M3G112, drawings for direction of air flow "A"



## A3G 910-A084-35 (Without attachments)



## W3G 910-D084-35 (With full square nozzle)

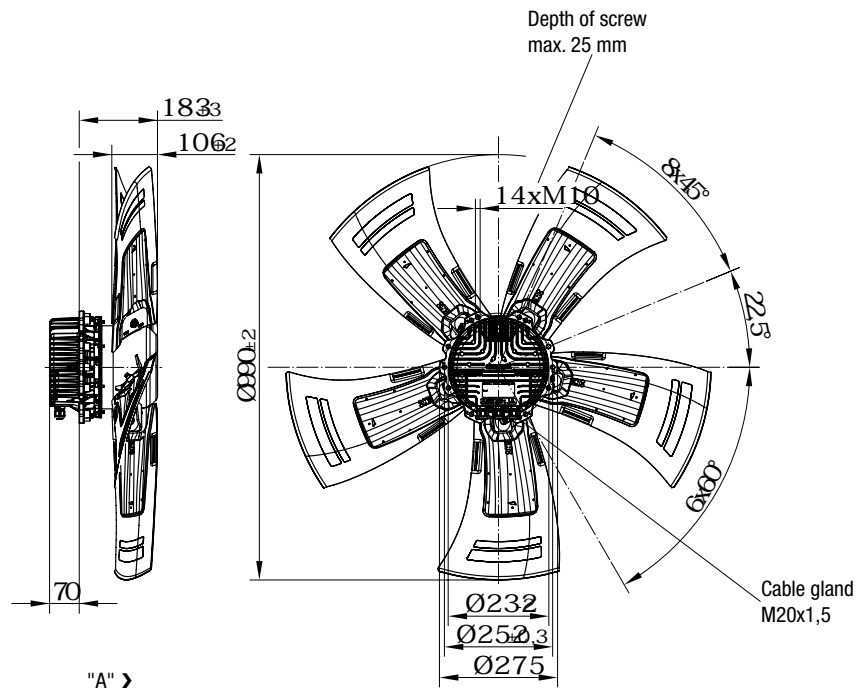


# EC axial fans "low pressure"

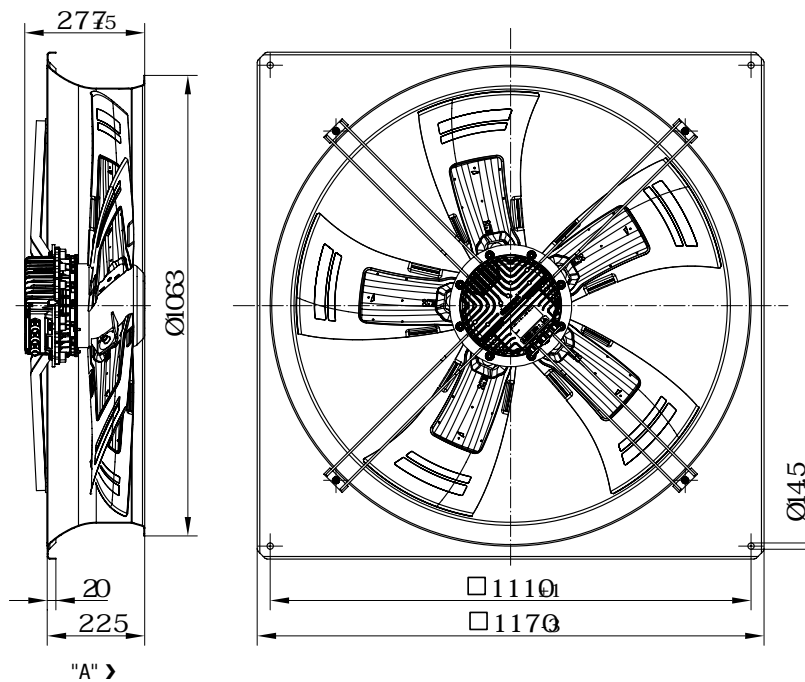
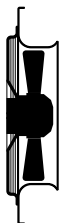
Ø 990 with motor M3G150, drawings for direction of air flow "A"



## A3G 990-AW30-55 (Without attachments)



## W3G 990-DW30-55 (With full square nozzle)



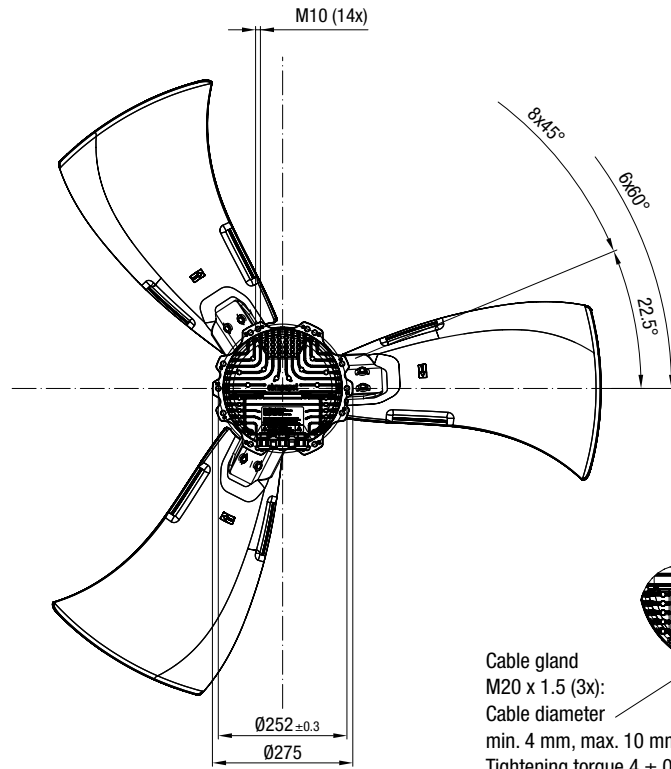
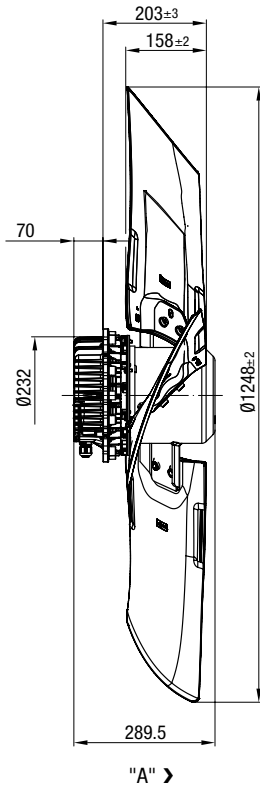


# EC axial fans "low pressure"

Ø 1250 with motor M3G150, drawings for direction of air flow "A"



## A3G Z50-AK07-55 (Without attachments)

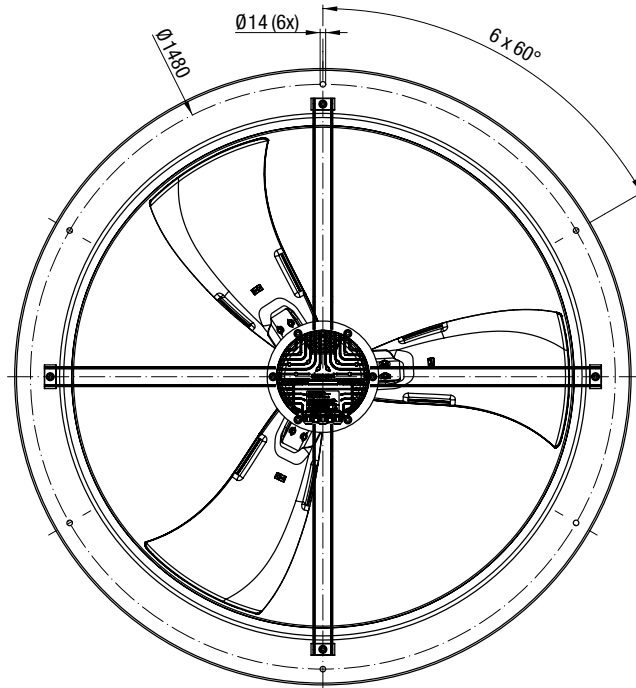
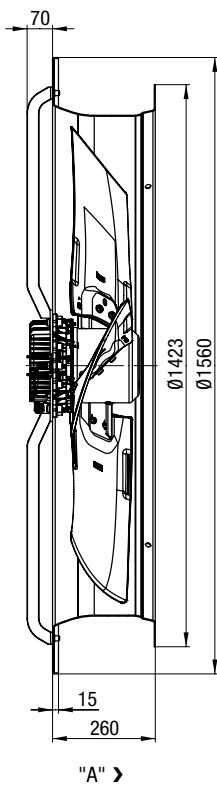


Tightening torque  
3.5 ± 0.5 Nm



Cable gland  
M20 x 1.5 (3x):  
Cable diameter  
min. 4 mm, max. 10 mm  
Tightening torque 4 ± 0.6 Nm

## W3G Z50-CK07-55 (With full round nozzle)

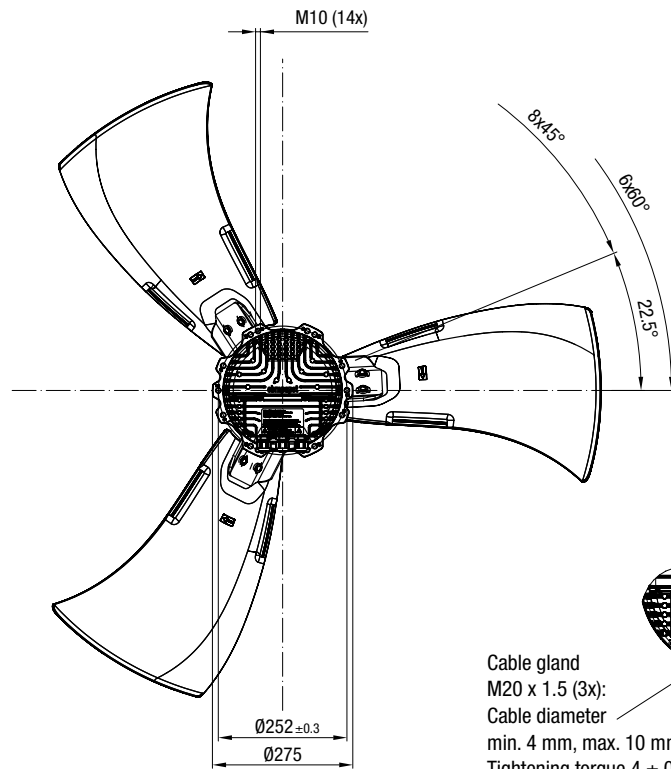
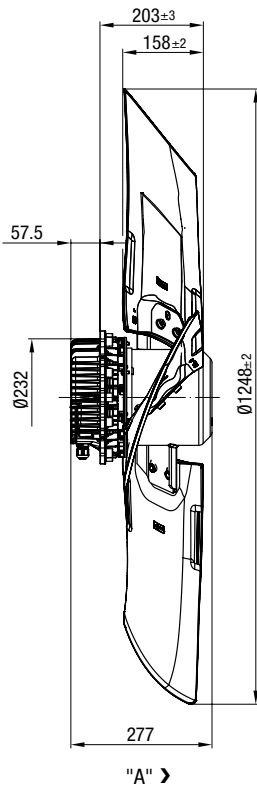


# EC axial fans "low pressure"

Ø 1250 with motor M3G150, drawings for direction of air flow "A"



## A3G Z50-AK15-35 (Without attachments)



Tightening torque  
 $3.5 \pm 0.5 \text{ Nm}$



Cable gland  
M20 x 1.5 (3x):  
Cable diameter  
min. 4 mm, max. 10 mm  
Tightening torque  $4 \pm 0.6 \text{ Nm}$

## W3G Z50-CK15-35 (With full round nozzle)

