

Φ900-7

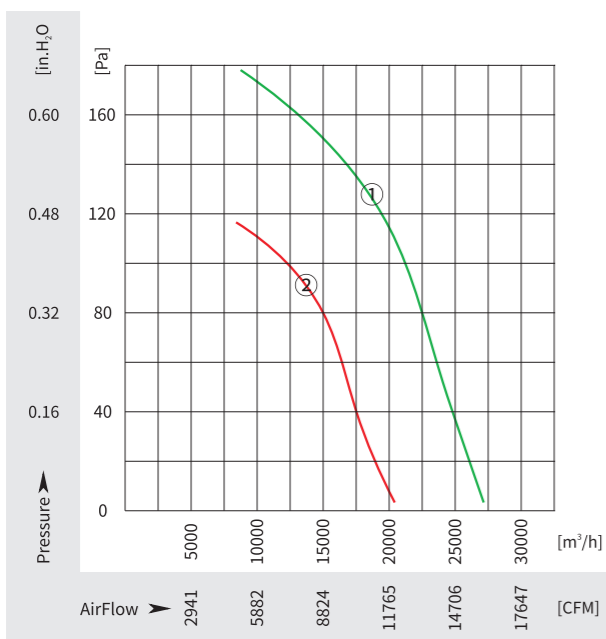
ErP2015
EXCEEDS THE NORM

Φ 900-7 系列轴流风机 Φ 900-7 Series Axial Fan

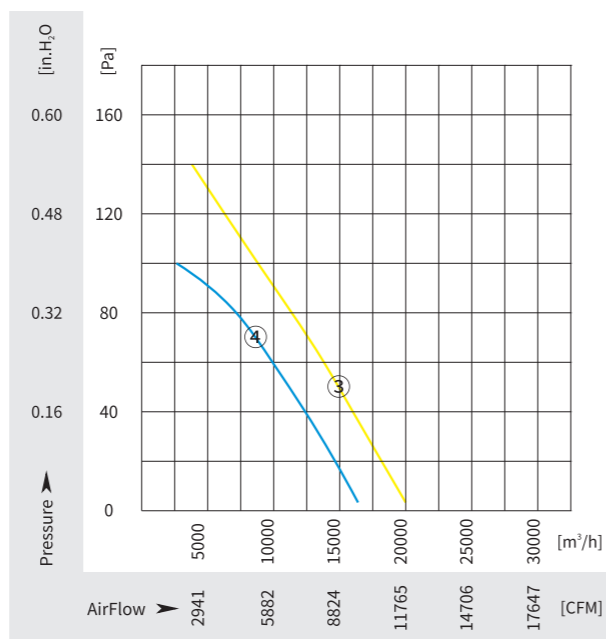
材 质: 转子铸铝
Material: Aluminum casting
保护等级: IP54
Protection Class: IP54
绝缘等级: F
Insulation Class: F
轴 承: 免维护滚珠球轴承
Bearing: Maintenance Free Ball Bearing



6-Pole

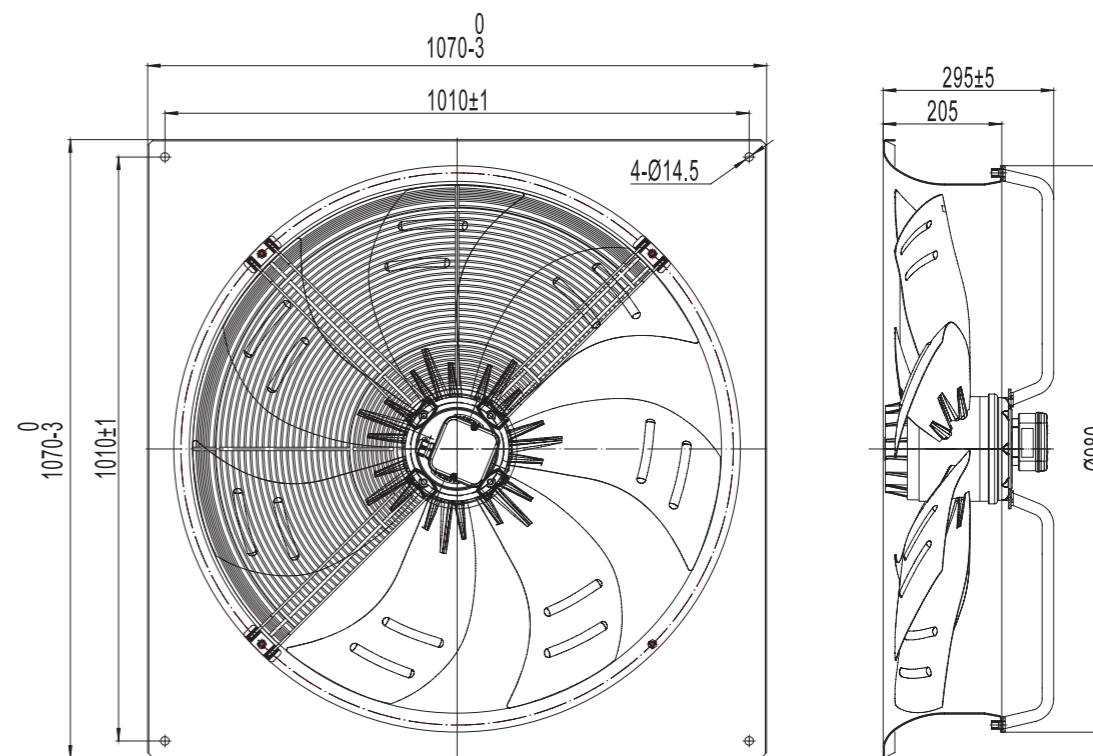


8-Pole



Φ900-7

Model No.F1



SI	SI	电压	频率	电流	输入功率	转速	电容	风量	噪音	曲线	运行温度	认证
F型正扣面板	F型反扣面板	Voltage	Frequency	Current	Input Power	Speed	Capacitor	Air Flow(OPa)	Noise	Curve No.	Operating Temperature	Approvals
Model No.F0	Model No.F1	V	Hz	A	W	RPM	μF	m ³ /h/CFM	dB(A)	#	Min/Max(°C)	
/	YWF.A6T-900S-7FIS10	380/400	50	3.20 2.00	1500 1150	930 800	/	25000/14750 21000/12390	81 78	① ②	-30/+60	CCC,CE,RoHs CCC,CE,RoHs
/	YWF.A8T-900S-7FIS10	380/400	50	2.20 1.10	850 600	700 550	/	18000/10620 15500/9145	76 72	③ ④	-30/+60	CCC,CE,RoHs CCC,CE,RoHs