

Φ450-5

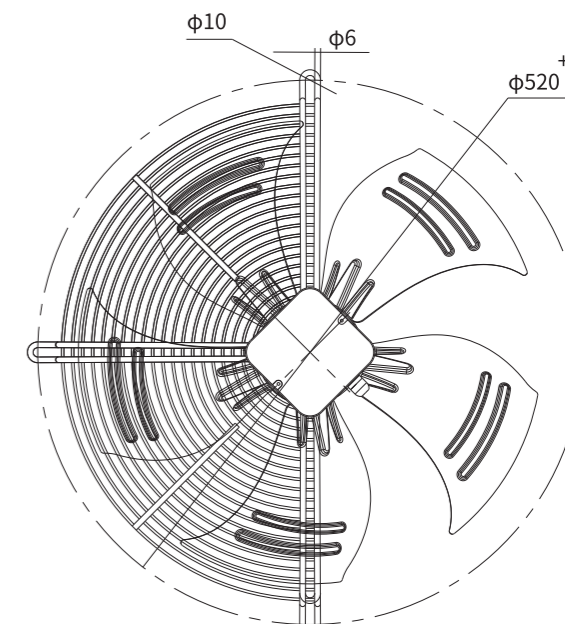
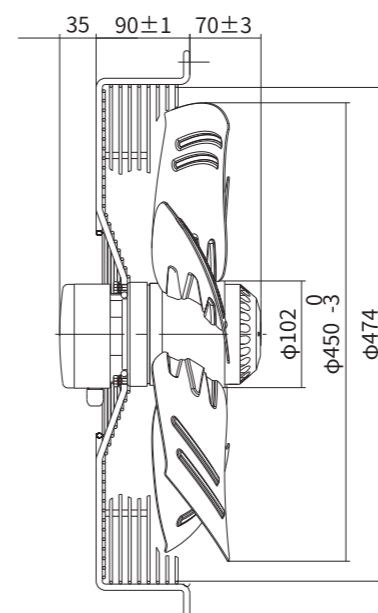
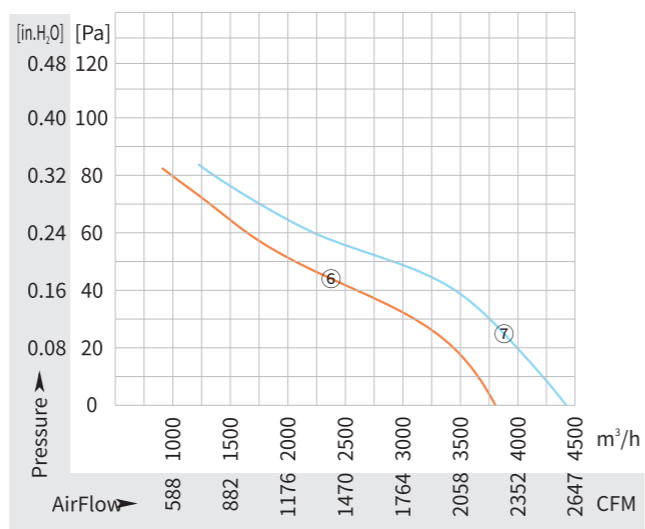
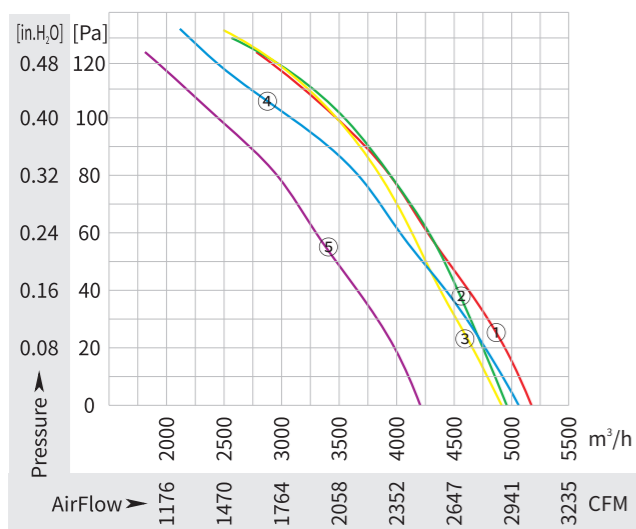
Φ 450-5 系列轴流风机 Φ 450-5 Series Axial Fan



4-Pole

材 质: 转子铸铝
Material: Aluminum casting
保护等级: IP54
Protection Class: IP54
绝缘等级: F
Insulation Class: F
轴 承: 免维护滚珠球轴承
Bearing: Maintenance Free Ball Bearing

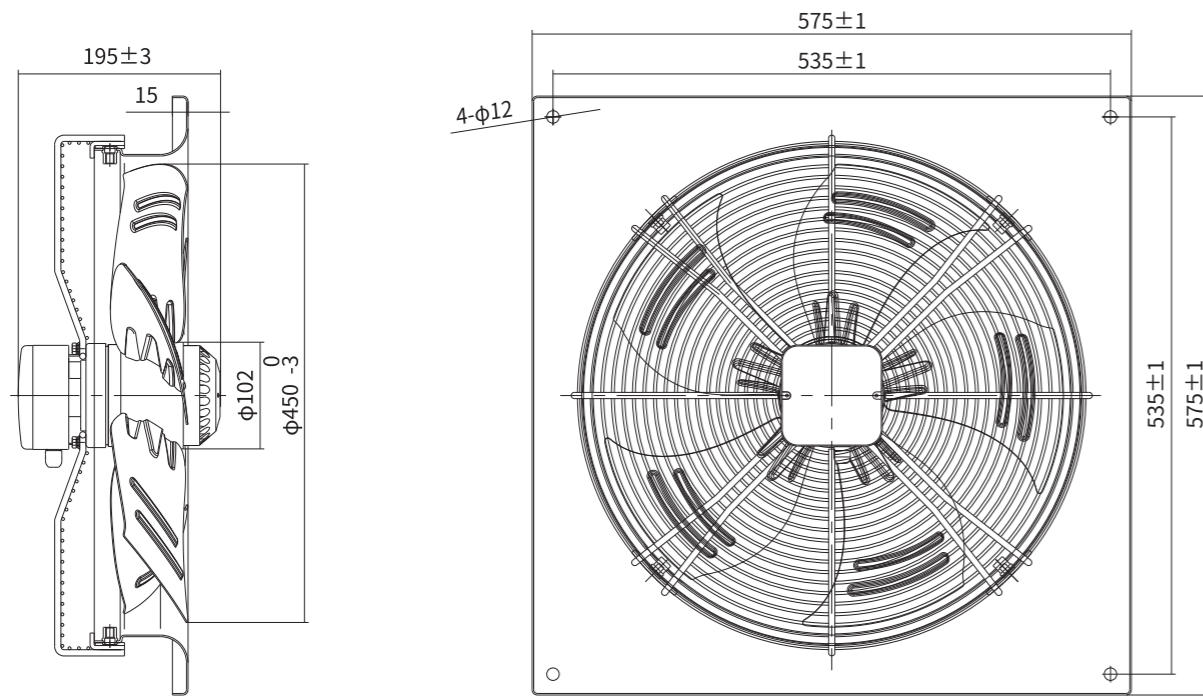
6-Pole



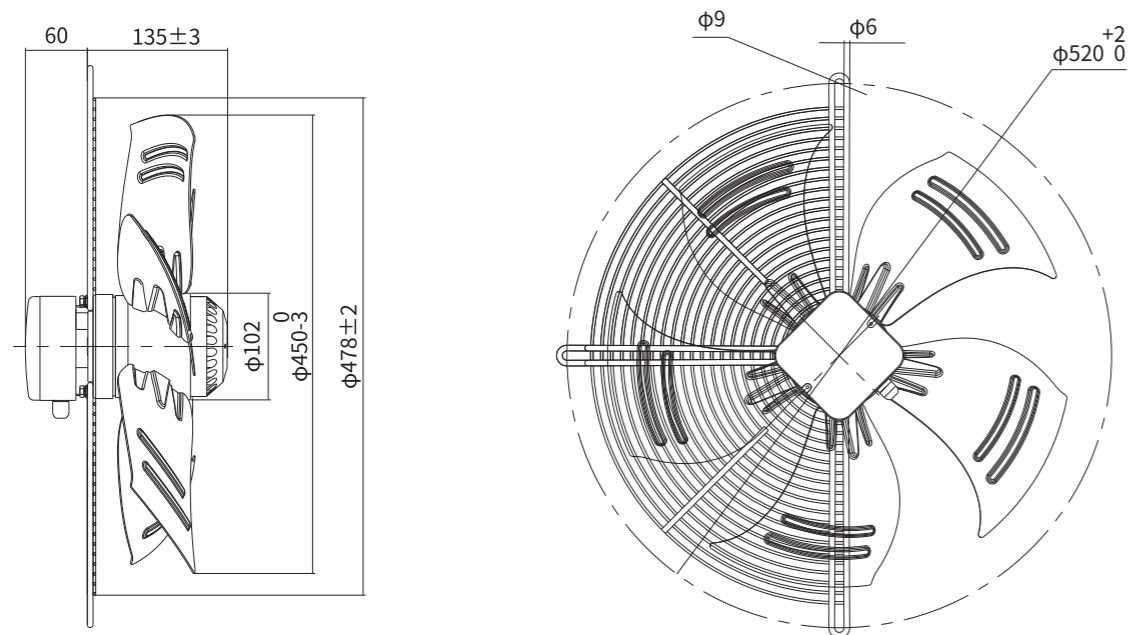
B型网罩	C型网罩	E型导风筒	G型网罩	F型正扣面板	F型反扣面板
Model No.B	Model No.C	Model No.E	Model No.G	Model No.F0	Model No.F1
YWF.A4S-450S-5BIA00	YWF.A4S-450S-5CIA00	YWF.A4S-450S-5EIA00	YWF.A4S-450S-5GIA00	YWF.A4S-450S-5FIA00	YWF.A4S-450S-5FIA01
YWF.A4T-450S-5BIA00	YWF.A4T-450S-5CIA00	YWF.A4T-450S-5EIA00	YWF.A4T-450S-5GIA00	YWF.A4T-450S-5FIA00	YWF.A4T-450S-5FIA01
YWF.A6S-450S-5BIA00	YWF.A6S-450S-5CIA00	YWF.A6S-450S-5EIA00	YWF.A6S-450S-5GIA00	YWF.A6S-450S-5FIA00	YWF.A6S-450S-5FIA01
YWF.A6T-450S-5BIA00	YWF.A6T-450S-5CIA00	YWF.A6T-450S-5EIA00	YWF.A6T-450S-5GIA00	YWF.A6T-450S-5FIA00	YWF.A6T-450S-5FIA01
YWF.A4S-450S-5BIA05	YWF.A4S-450S-5CIA05	YWF.A4S-450S-5EIA05	YWF.A4S-450S-5GIA05	YWF.A4S-450S-5FIA05	YWF.A4S-450S-5FIA15

D型网罩	电压 Voltage	频率 Frequency	电流 Current	输入功率 Input Power	转速 Speed	电容 Capacitor	风量 Air Flow(OPa)	噪音 Noise	曲线 Curve No.	运行温度 Operating Temperature	认证 Approvals
Model No.D	V	Hz	A	W	RPM	μF	m ³ /h/CFM	dB(A)	#	Min/Max(°C)	
YWF.A4S-450S-5DIA00	220/230	50	1.15	250	1350	7	5200/3058	62	①	-30/+60	CCC,CE,RoHs
		60	1.50	290	1600		4950/2911	66			②
YWF.A4T-450S-5DIA00	380/400	50	0.55	250	1380	/	5050/2970	62	③	-30/+60	CCC,CE,RoHs
		60	0.53	290	1600		4800/2823	66			④
YWF.A6S-450S-5DIA00	220/230	50	0.65	135	920	6	3800/2235	56	⑥	-30/+60	CCC,CE,RoHs
		60	0.79	175	1100		4400/2588	58			⑦
YWF.A6T-450S-5DIA00	380/400	50	0.33	120	910	/	3800/2235	56	⑥	-30/+60	CCC,CE,RoHs
		60	0.34	145	1030		4400/2588	58			⑦
YWF.A4S-450S-5DIA05	115/120	50	2.20	240	1350	22	4200/2470	62	⑤	-30/+60	RoHs
		60	2.40	300	1600		4950/2911	66			②

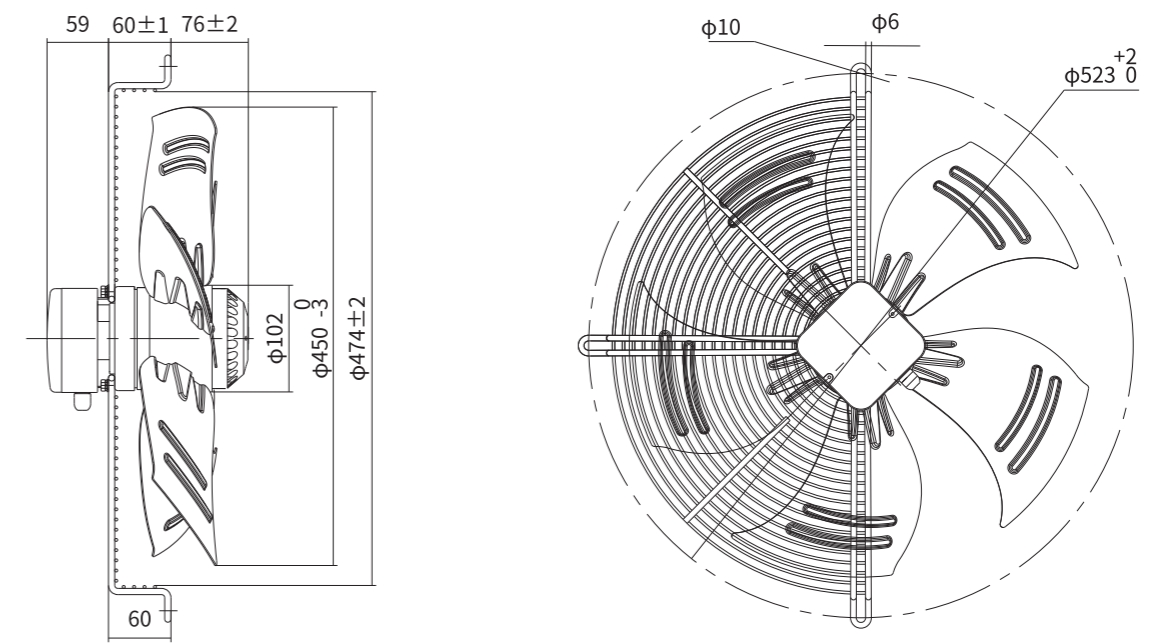
 **Φ450-5**
 Model No.F1



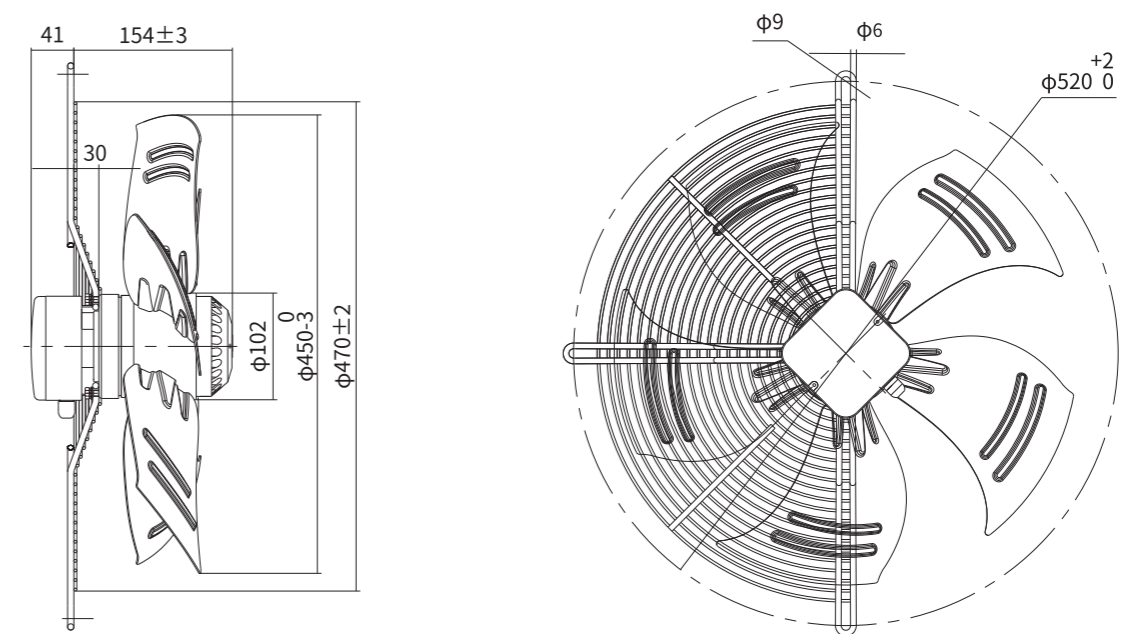
Model No.B



 **Φ450-5**
 Model No.C



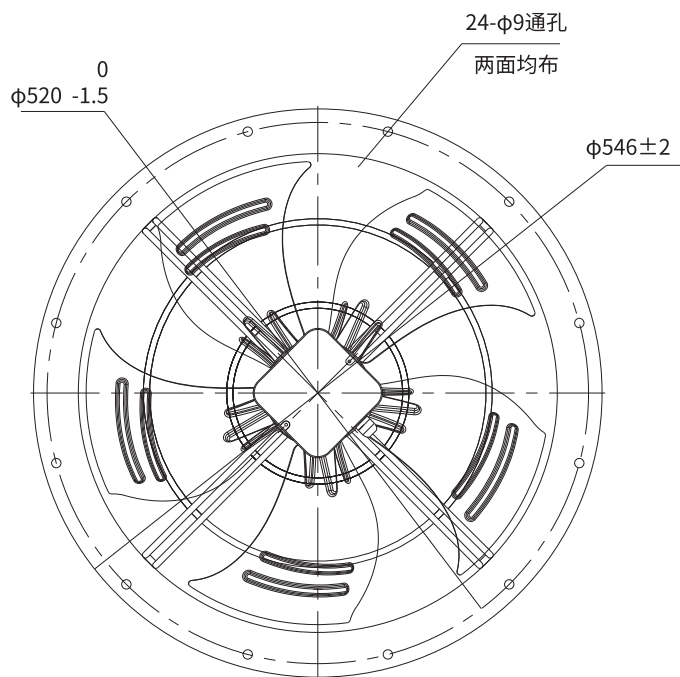
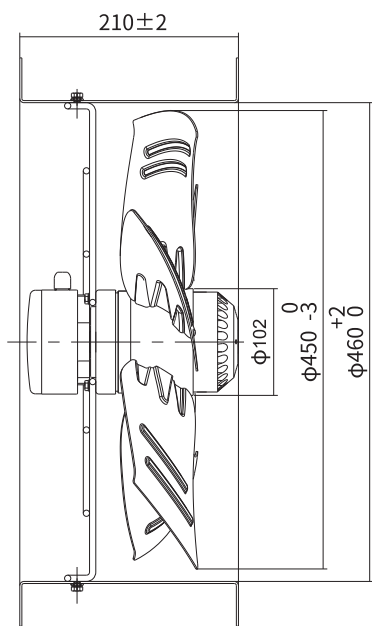
Model No.G





Φ450-5

Model No.E



Model No.F0

