

EC AXIAL FAN

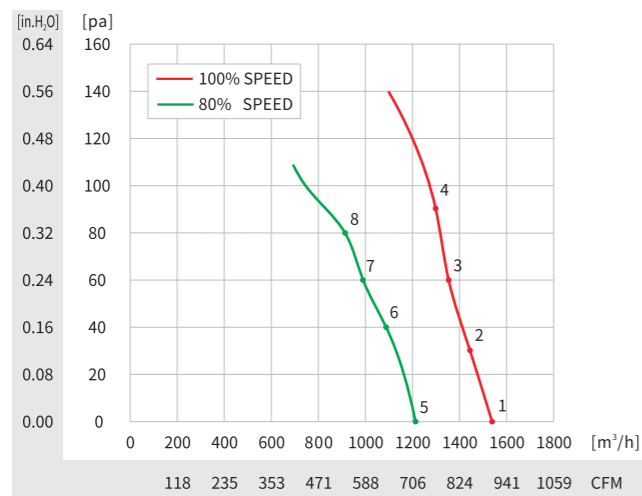


EC92-A250

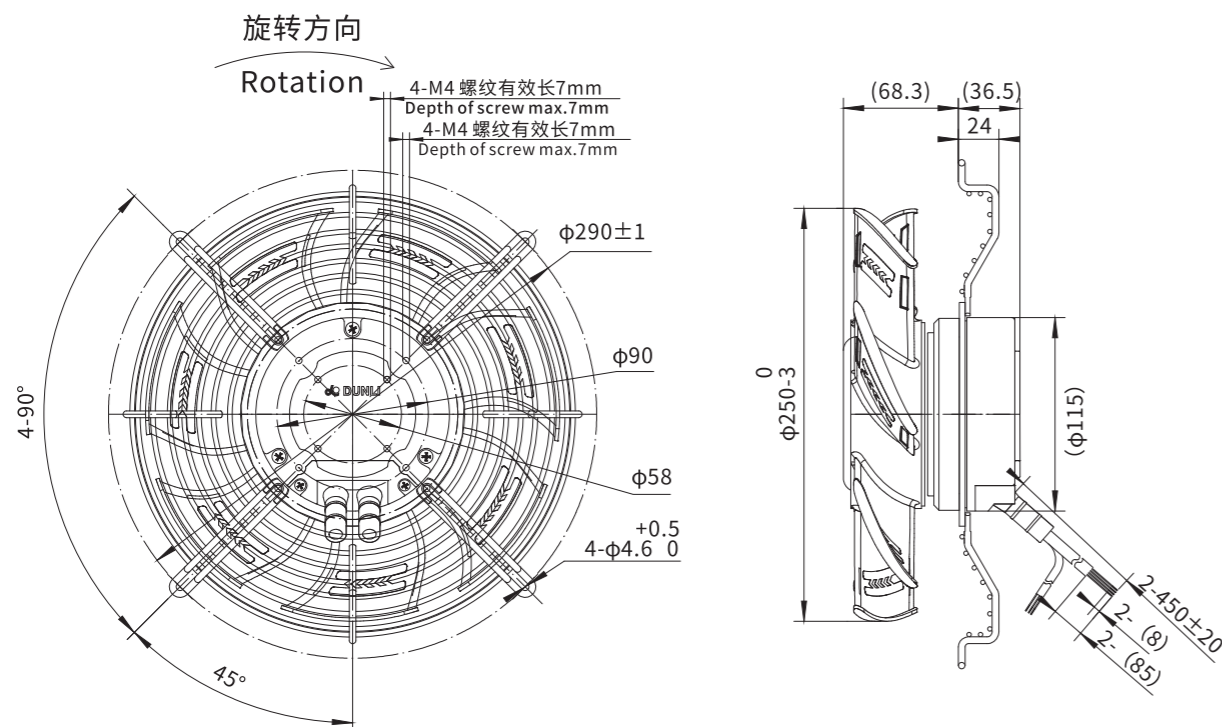
吸风(Series): S
 防护等级 (Level of protection): IP44
 绝缘等级 (Insulation class): B
 产品认证 (Approval): CE、CCC、UL



型号 Model	额定电压 Rated Voltage	频率 Frequency	转速 Speed	输入功率 Input Power	电流 Current	噪音 Noise	使用温度 Applicable Temp
	VAC	Hz	RPM	W	A	dB	°C
EC92-A250	220/230	50/60	2900	140	1.0	68	-20~+60



No.	转速 Speed [RPM]	输入功率 Input Power [W]
1	2913	139.4
2	2915	142.1
3	2913	145.4
4	2911	139.6
5	2336	69.7
6	2337	72.9
7	2335	71.9
8	2336	71.6



Erp2015/RoHs

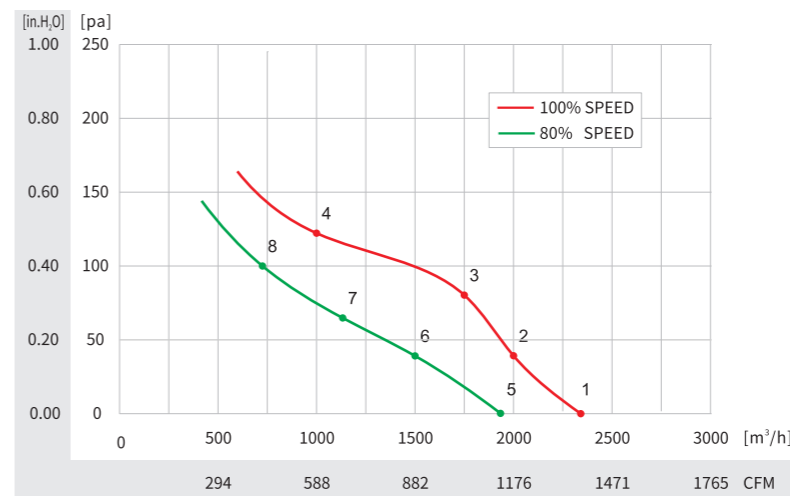


EC92-A300

防护等级 (Level of protection): IP44
 绝缘等级 (Insulation class): B
 产品认证 (Approval): CE、CCC、UL
 轴承类型 (Bearing): Maintenance Free Ball Bearing



型号 Model	额定电压 Rated Voltage	频率 Frequency	转速 Speed	输入功率 Input Power	电流 Current	噪音 Noise	使用温度 Applicable Temp
	VAC	Hz	RPM	W	A	dB	°C
EC92-A300	220/230	50/60	2100	132	1.0	70	-20~+60



No.	转速 Speed [RPM]	输入功率 Input Power [W]
1	2091	127.2
2	2092	153.8
3	2089	172
4	2038	190.9
5	1670	65.7
6	1671	80.9
7	1674	84.4
8	1672	113.5

