

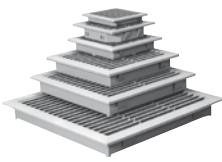
TriLine® Switchgear cabinets

Exhaust filters

Exhaust filters are normally installed in conjunction with filter fans and are preferably fitted in the upper section of the switchgear cabinet. Where possible, a diagonal air flow should be generated. Whether one or two fans are to be fitted depends upon the airflow calculations and prevailing conditions. Material and degree of protection match those of the filter fans.

These exhaust filters have the same quick mounting system as the RZF series filter fans. They are snapped into the cut-out from the outside. Fixing holes are only necessary for screw fastening.

5



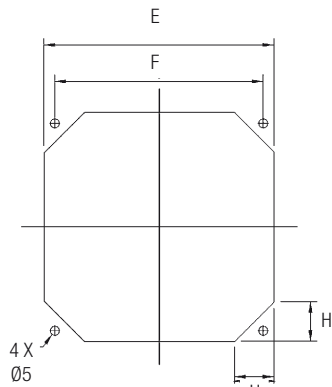
RZA100

Article	Pieces	Type	Ord. no.	Price
Exhaust filter	1	RZA100	2CPX046470R9999	
	1	RZA200	2CPX046471R9999	
	1	RZA300	2CPX046472R9999	
	1	RZA400	2CPX046473R9999	

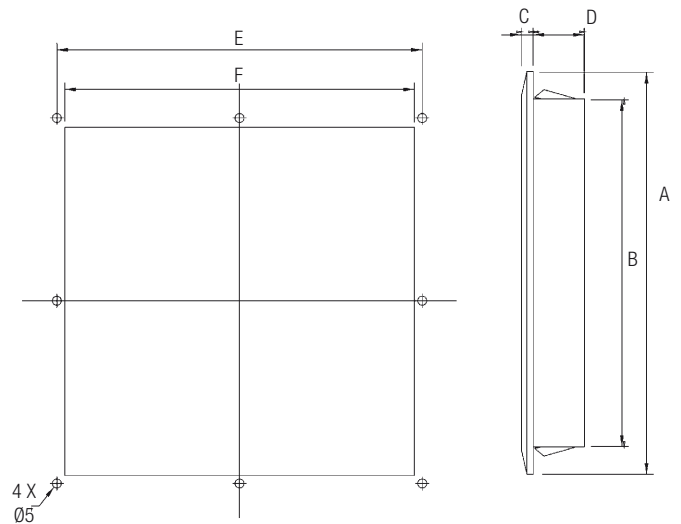
Exhaust filter	A	B	C	D	E	F	G	H
RZA100	105	91.5	4.5	12	92	92	3.5	6
RZA200	130	115	5	24	116	105	4.5	20
RZA300	204	176	6	26	177	185	4.5	-
RZA400	250	222	6	32	223	234	4.5	-

RZA100 + RZA200

Octagonal cut-out and drill holes are only necessary for screw fastening



RZA300 + RZA400



> Dimensions in mm